



Add-on blocks  
and accessories  
- 1 changeover  
contact  
P1X1011  
1 C/O  
0.5  
IEC/EN/BS  
60947-5-1

Product designation

Product type designation

Number of poles

Number of DIN modules

Compliance

### Electrical features

Rated impulse withstand voltage Uimp	kV	4
Rated operational voltage AC (IEC)	VAC	400
Rated current (In)	A	6
Conductivity		24V 10mA

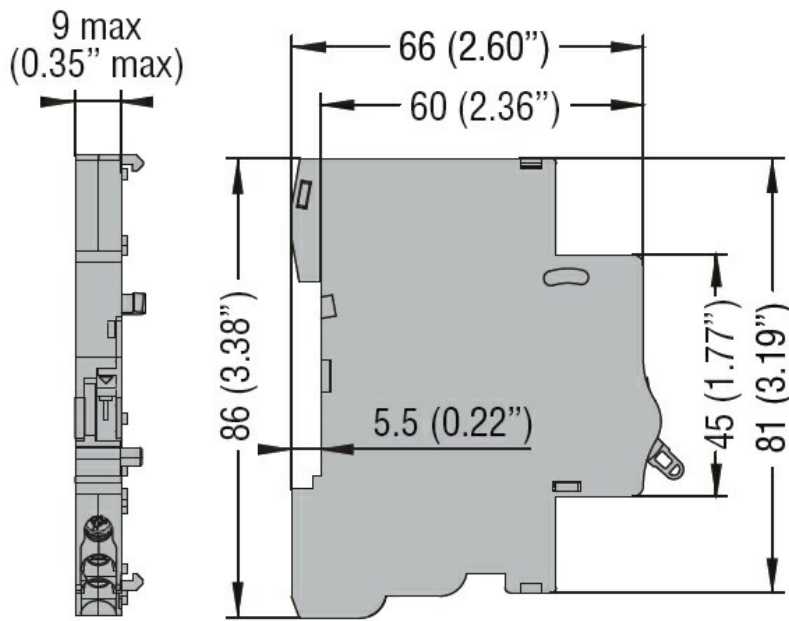
### Ambient conditions

Operating temperature	min	°C	-40
	max	°C	+70
Storage temperature	min	°C	-40
	max	°C	+80

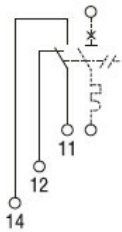
### Mechanical features

Operating position	normal allowable	Vertical plan Any	
Tightening torque for terminals	min	Nm	1
	max	Nm	1
	min	lbin	0.7
	max	lbin	0.7
Terminals tool		PH2	
Conductor section	IEC		
	max	mm <sup>2</sup>	1x 2.5 - 2x 1.5
Weight		g	40

### Dimensions



**Wiring diagrams**



**Certifications and compliance**

**Compliance**

IEC/EN 60947-5-1. UR "UL Recognized" per Canada e USA.

**Certifications**

cULus  
 EAC

**ETIM classification**

ETIM 8.0

EC000041 -  
 Auxiliary contact  
 block