



TeSys LC2D●●C  
可逆交流接触器

W9CH010600511

产品合格证  
Product certification

本产品经检验，符合标准，IEC60947/GB/T14048，准予出厂  
This product is qualified, conform to standard IEC60947/GB/T14048, can be delivered

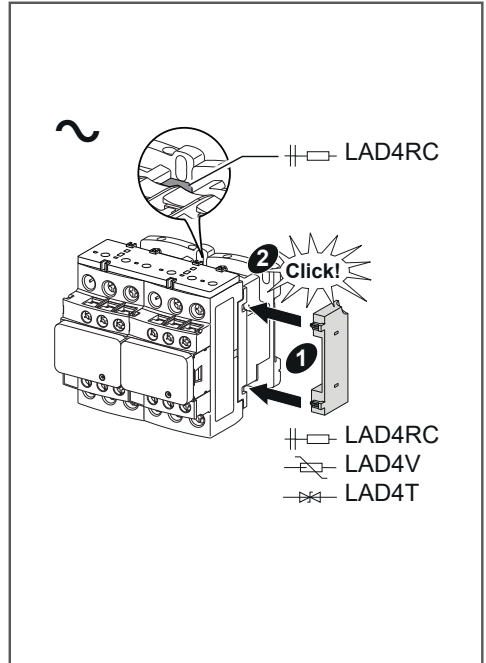
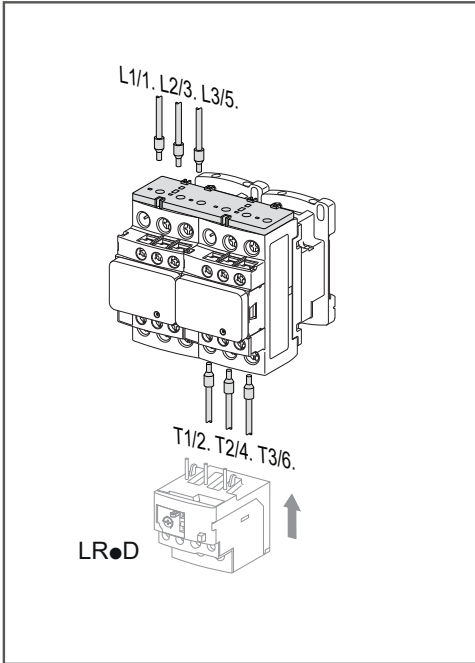
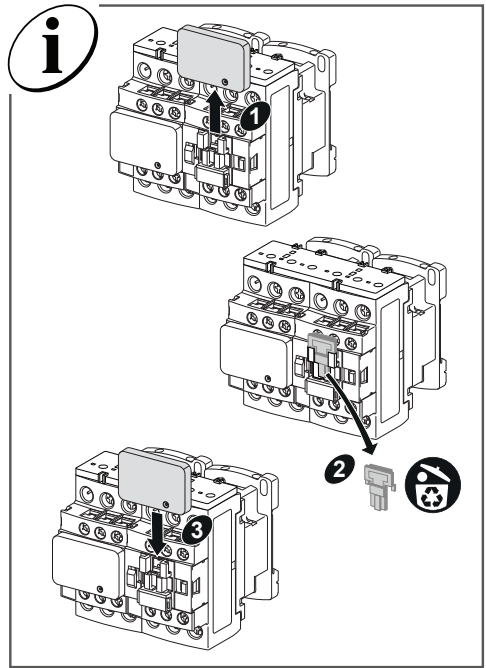
施耐德工业控制有限公司  
SCHNEIDER SHANGHAI INDUSTRIAL CONTROL CO.,LTD.  
中国上海普陀区绿德路629号 邮政编码 200331  
629 SUIDE ROAD, PUTUO, SHANGHAI 200331, CHINA

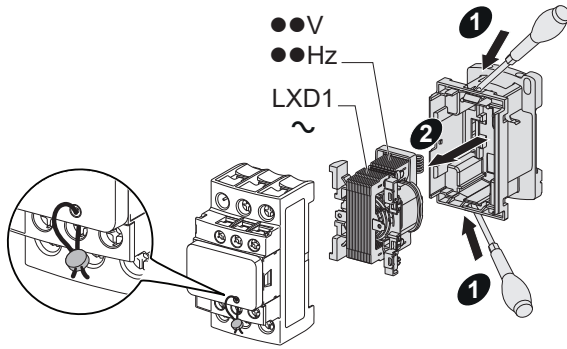
施耐德电气制造（武汉）有限公司  
SCHNEIDER ELECTRIC MANUFACTURING (WUHAN) CO., LTD.  
中国武汉市东湖新技术开发区佛祖岭三路一号 邮政编码: 430071  
NO.1, 3RD ROAD OF FO ZU LING, DONGHU NEW&HIGH TECH DEV ZONE WUHAN 430071, CHINA

**⚠️ ⚠️ 危险 / DANGER**

可能有触电、爆炸或者  
电弧灼伤的危险  
在此电力设备上进行操作时，  
请先断开所有电源。  
不遵循上述规定将可能导  
致人员伤亡。

**HAZARD OF ELECTRIC SHOCK,  
EXPLOSION, OR ARC FLASH**  
Disconnect all power before  
servicing equipment.  
**Failure to follow these instructions  
will result in death or serious injury.**





●●V  
●●Hz  
LXD1  
~



~ : 交流线圈

≡ : 直流线圈

LC : 直流100mA线圈

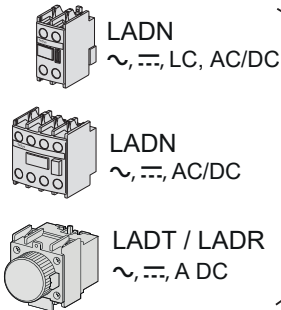
AC/DC : 交直流线圈

~ : Alternative current coil

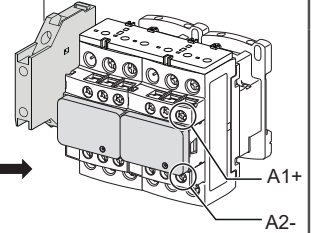
≡ : Continuous current coil

LC : Continuous 100mA  
current coil

AC/DC : Alternative and  
continuous current coil



LAD8N ~



AC/DC:

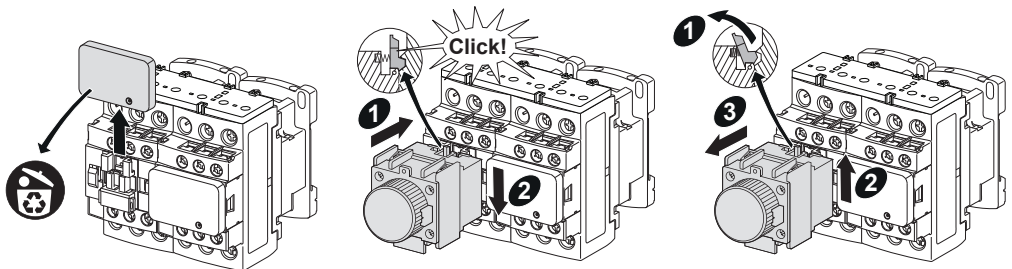
- 在EMC环境B中使用此产品可能需要采取缓解措施以避免不必要的干扰
- 交流情况需在10%Us下完全释放

AC/DC:

- Use of this product in EMC environment B may require mitigation measures to avoid unwanted disturbance
- Full open AC at 10%Us

“电动机起动请使用施耐德电气LR系列过载继电器”

«For Motor Starting Use Schneider Electric Overload Relay Series LR.»



LAD6K / LADN / LADT / LADR

Schneider Electric Industries SAS  
35, rue Joseph Monier - CS 30323  
F - 92506 Rueil Malmaison Cedex  
www.se.com/contact

Schneider Electric Limited  
Stafford Park 5  
Telford, TF3 3BL  
United Kingdom  
www.se.com/uk

UK  
CA