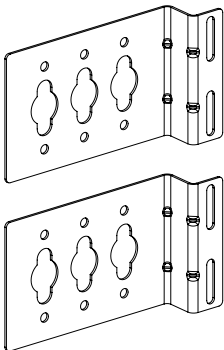
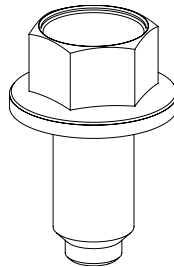


ORIENTATION AND LOCATION OF BRACKETS MAY BE DETERMINED BY INSTALLER, SIZE OF CABINET, AND PDU SOLUTION

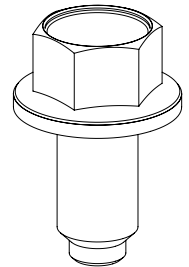
HARDWARE INCLUDED



[2] PDU BRACKETS



[6] M5 SCREWS
(Use 7mm Hex Bit)

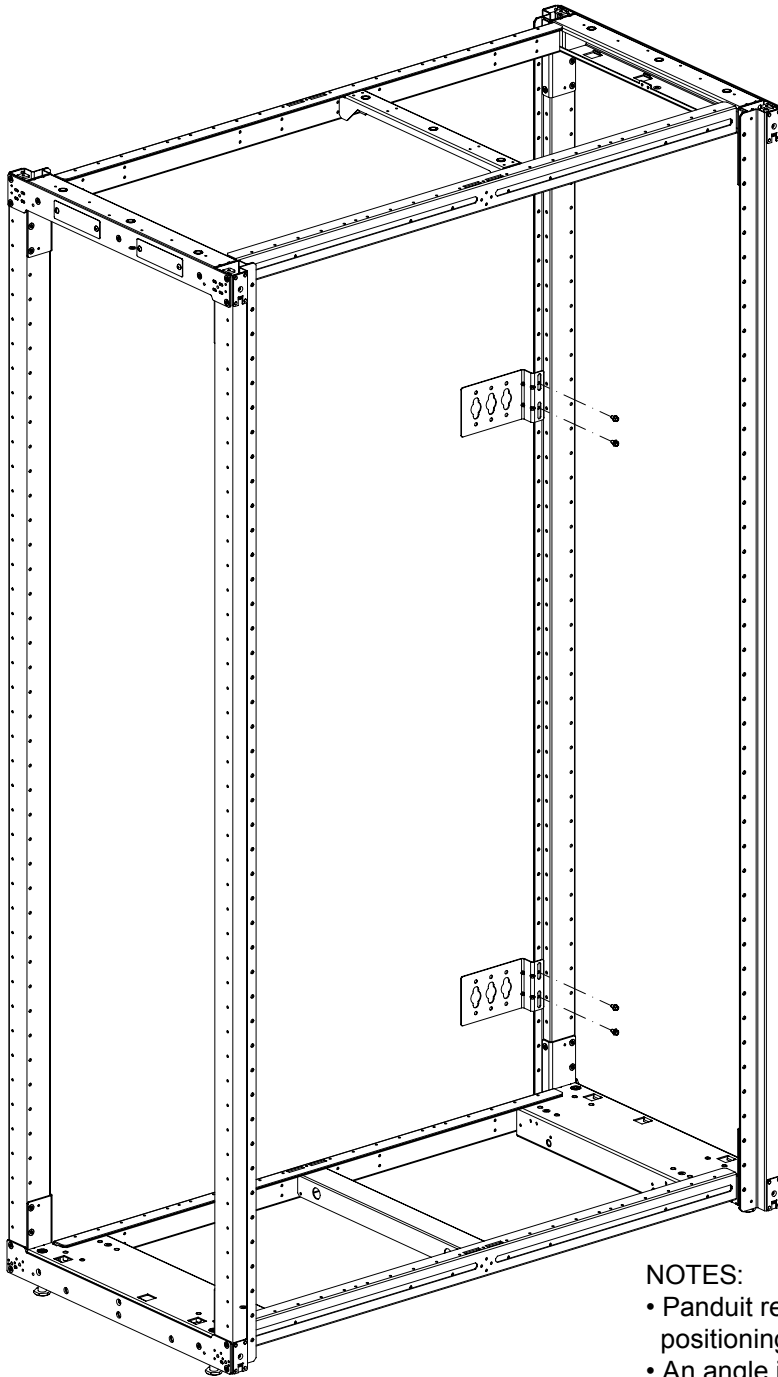


[6] M6 SCREWS
(Use 8mm Hex Bit)

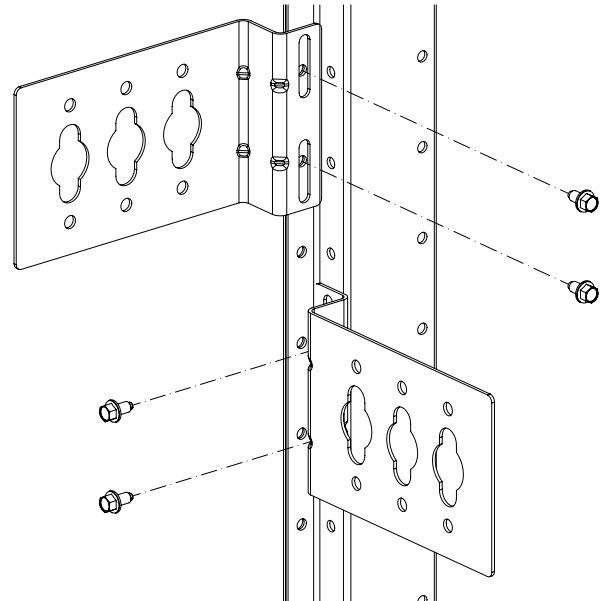
For Technical Support: www.panduit.com/resources/install_maintain.asp

PDU Bracket Installation

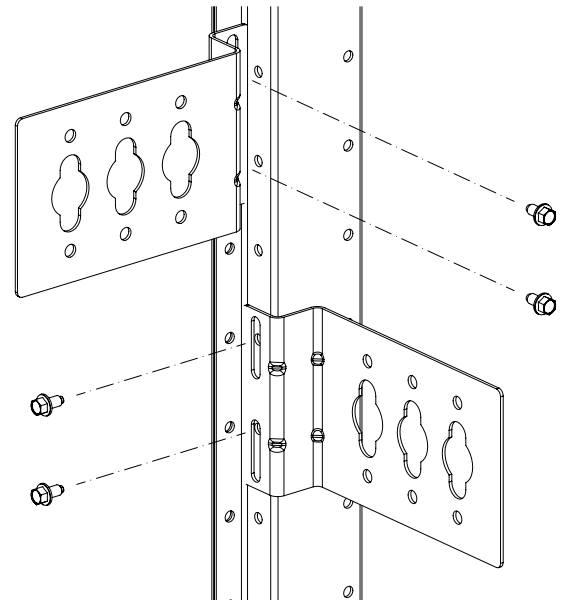
- Orient Top PDU bracket on cabinet post at desired position
- Fasten to cabinet by passing [2] M5 Torx screws or [2] M6 Torx screws through slotted holes of bracket into cabinet post
- Orient Bottom PDU bracket on cabinet post at desired position
- Fasten to cabinet by passing [2] M5 Torx screws or [2] M6 Torx screws through slotted holes of bracket into cabinet post



TOP BRACKET ORIENTATION EXAMPE 1



TOP BRACKET ORIENTATION EXAMPLE 2



NOTES:

- Panduit recommends installation of MA020* brackets prior to positioning of cabinets in row
- An angle impact driver (such as Makita® BTL061) is recommended when installing MA020* brackets on cabinet positioned in row

For Instructions in Local Languages
and Technical Support:

www.panduit.com/resources/install_maintain.asp

PANDUIT

www.panduit.com

E-mail:
techsupport@panduit.com

Phone:
866-405-6654