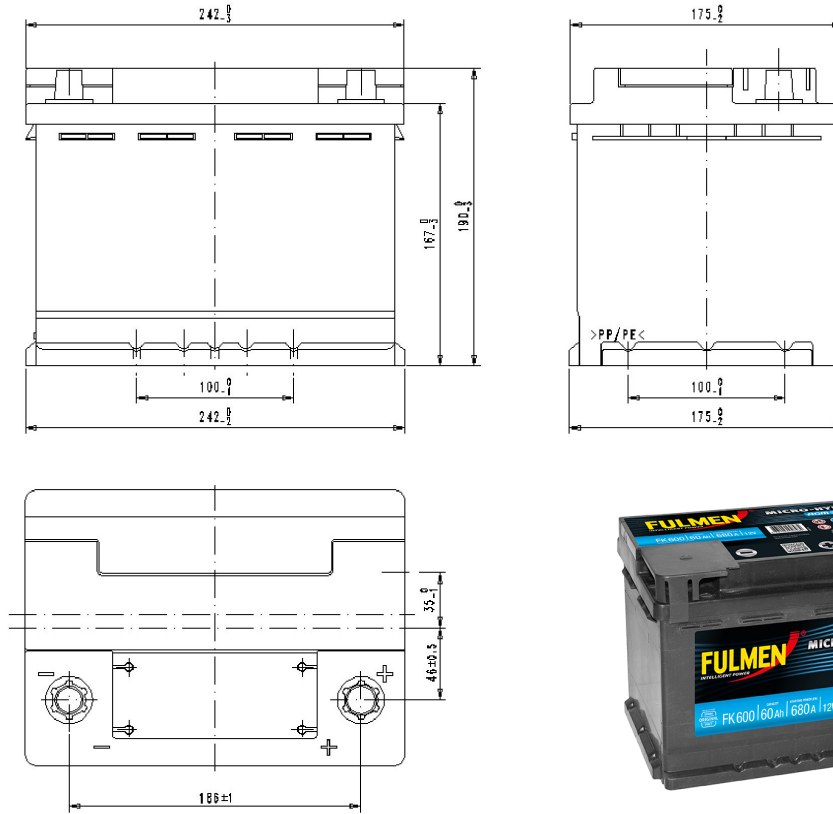


Central Article Code: L02069A26-B
 ETN Code or Other:

Created: 16/02/2011
 Modified: 7/2/2013



PERFORMANCES

Voltage (V):	12 V
C20 (Ah):	60.0 20 h
Rc (min):	0
Cranking (A):	680 EN
Vibration:	Manufactured Specific
Endurance:	VDA Requirement
Charge:	CHARGED
Technology:	AGM
Grid:	Ca/Ca

CONTAINER

Type:	L02	BLACK
Hold Down:	B13	
H.D. Adapter:	No	

COVER

Type:	Double without Handle	BLACK
Polarity:	ETN 0	
Terminals:	EN taper post	
Terminal Adapter:	No	
SOCI:	No	
Ventilation:	Central	
Filter:	1 Filter Positive side	
Lateral Plug:	No	

WEIGHT AND STD. DIMENSIONS

Battery Weight (kg):	16.30
Volume acid (l):	2.80
Length (mm):	242
Width (mm):	175
Height (mm):	190

PLUGS

Type:	1 x Vent Sealed	BLACK
-------	-----------------	-------

HANDLES

Type:	None
-------	------

OTHERS

Degassing Tube:	No
-----------------	----

All figures show nominal values. Tolerances are according to EN50342 and applicable European Regulations.