


Part number

TM 3265KIR



Interlocked switched socket-outlet, TM series, 3 poles + N + PE, 6 h (red), 32 A, 200/346 ÷ 240/415 V, with compartment for modular units, 4,5 DIN-rail modules EN 60715, with base box

Product description

Product type	Interlocked switched socket-outlet
Series	TM..IR/KIR
N. of poles	3 poles + N + 
Clock position	6
Size	115 x 450 x 18 mm
Specification	With compartment for modular units, 4,5 DIN-rail modules EN 60715 With base box

Technical data

Current	32 A
Voltage	200/346 ÷ 240/415 V
IP degree of protection	IP66 / IP67

Further technical details

Weight	1.510,00 g
Operating temperature range (min, max)	-25°C ... +40°C
UL 94 flammability rating	V-2
IK rating (impact degree of protection)	IK10

Material properties

Colour	RAL 7012 grey, RAL 3000 red
RoHs conformity	Compliant with exemption 6(c): copper alloy containing up to 4% lead by weight
China RoHs - EFUP	50
REACH SVHC substances	Yes Lead
SCIP number	Ce861c8d-b979-403b-96d9-80aef6dc281d

Approvals / Standards

Reference standard	EN 60309-1, -2 e -4
---------------------------	---------------------

General ordering information

EAN13 code	8015747126137
-------------------	---------------

Packaging Information

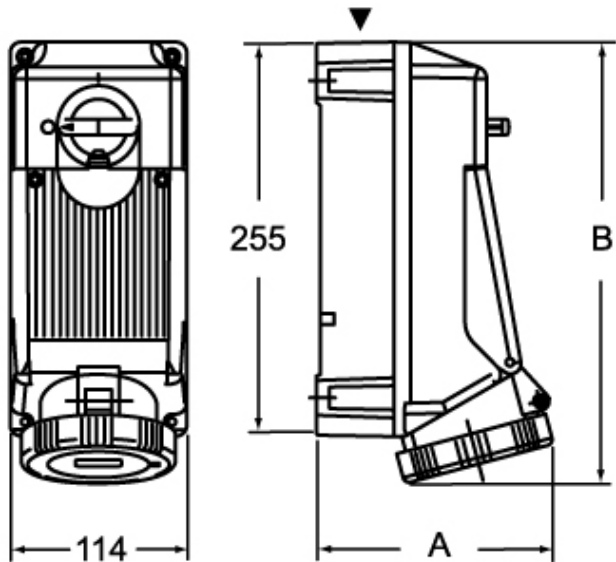
Packaging length	385,00 mm
Packaging height	320,00 mm
Packaging width	485,00 mm
Packaging weight	13,59 kg
Packaging volume	59,75 dm ³
Packaging description	Carton box
Packaging quantity	9 Pcs
Packaging EAN code	8015747126847
Sub-packaging weight	1,51 kg
Sub-packaging description	Carton tray
Sub-packaging quantity	1 Pcs
Sub-packaging EAN barcode	8015747126854

Part number

TM 3265KIR



Catalogue drawings



	A	B
2P+⊕	133	276
3P+⊕	135	276
3P+N+⊕	140	277

Notes

Dimensions shown in mm are not binding and may be changed without notice.