

Part number

MIV 24 YX50



Hood, CENTRAL LEVER series, with 1 lever, M50 top cable entry, size "104.27", high construction, inclined

Product description

| | |
|----------------------|-----------------------------|
| Product type | Hood |
| Series | CENTRAL LEVER |
| Closing type | With 1 lever |
| Size | Size 104.27 |
| Cable entry | Top cable entry M50 |
| Specification | High construction, inclined |

Technical data

IP degree of protection IP65 / IP66 / IP69

Further technical details

| | |
|---|----------------|
| Weight | 422,00 g |
| Operating temperature range (min, max) | -40°C...+125°C |

Material properties

| | |
|------------------------------|------------------------|
| Other materials | Lever: Stainless steel |
| Colour | RAL 7040 grey |
| RoHs conformity | Compliant |
| China RoHs - EFUP | E |
| REACH SVHC substances | No |

Approvals / Standards

| | |
|------------|-------|
| UL | ECBT2 |
| cUL | ECBT8 |

General ordering information

| | |
|-------------------|---------------|
| EAN13 code | 8015747166904 |
| eCl@ss 8.1 | 27440202 |
| ETIM 7.0 | EC000437 |

Packaging Information

| | |
|----------------------------------|-------------------|
| Sub-packaging weight | 0,42 kg |
| Sub-packaging description | Plastic packaging |
| Sub-packaging quantity | 1 Pcs |
| Sub-packaging EAN barcode | 8015747169028 |

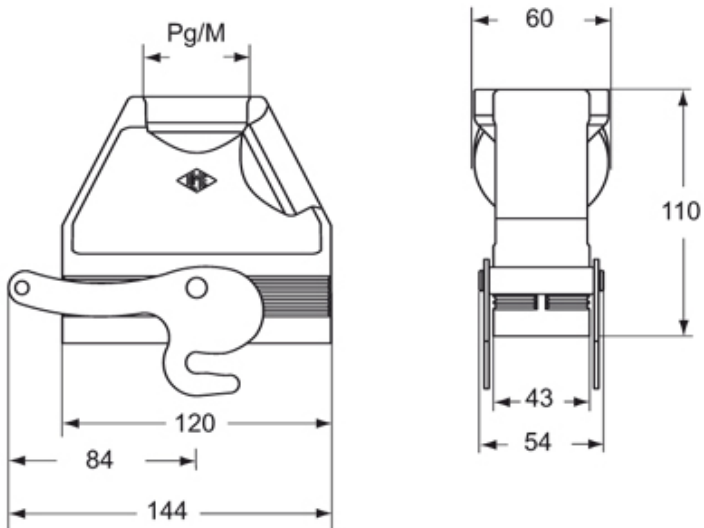
Part number

MIV 24 YX50



Catalogue drawings

CIV..YX MIV..YX



Notes

Dimensions shown in mm are not binding and may be changed without notice.
