

Padlock Support

Cat N°(s) : 406 303



CONTENTS	PAGE
1. Description, use	1
2. Range	1
3. Overall dimensions	1
4. Preparation and connection	2
5. General characteristics	2
6. Conformities and accessories	2

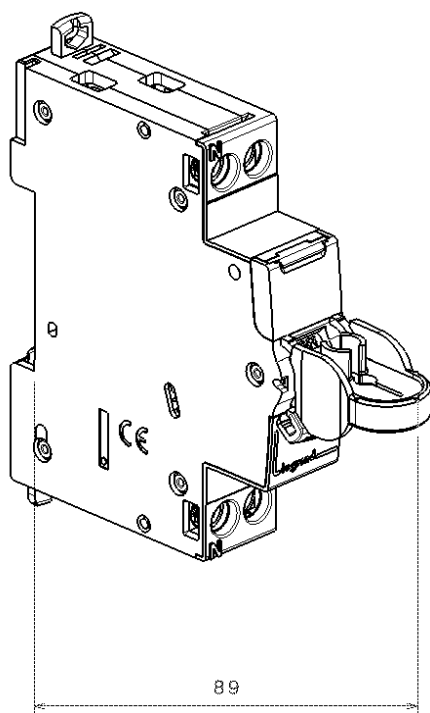
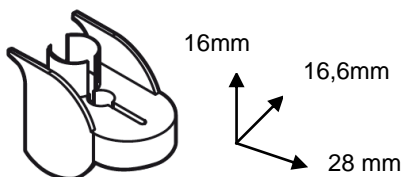
1. DESCRIPTION - USE

- . Support for one padlock for DX3 Φ 5mm or 6mm
- . Enable to lock MCBs, RCBs, RCCBs and Isolator Switches when contacts are opened (OFF).

2. RANGE

- . Cat. Number 4063 03 : Delivered by 2.

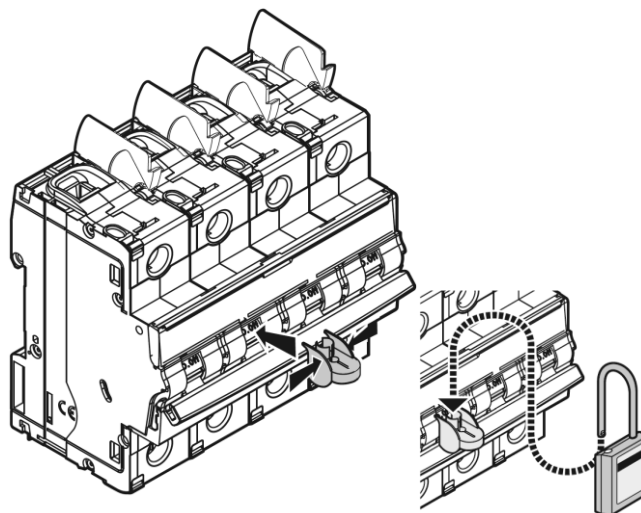
3. OVERALL DIMENSIONS (in mm)



4. PREPARATION AND CONNECTION

Connection :

- . Directly on the handle in open position (OFF).



4. PREPARATION AND CONNECTION *(following)*

Tools required:

. None.

5. GENERAL CHARACTERISTICS

Operating and stockage ambient temperature:

. Min. = -40°C. Max. = +70°C

Plastic material used:

. Polycarbonate

. Resistance to incandescent wire test at 960°C in accordance with IEC/EN 60 695-2-11.

Average weight:

. 2,4 g

Packed volume:

Packed by 2 products

. 0,198 dm³

6. CONFORMITIES

Not applicable.