



Product designation

Alarm-status
relay unit
RGKRR

Product type designation

Power supply

Rated battery voltage

V 12/24VDC

Interface

CANbus

Yes

Mechanical features

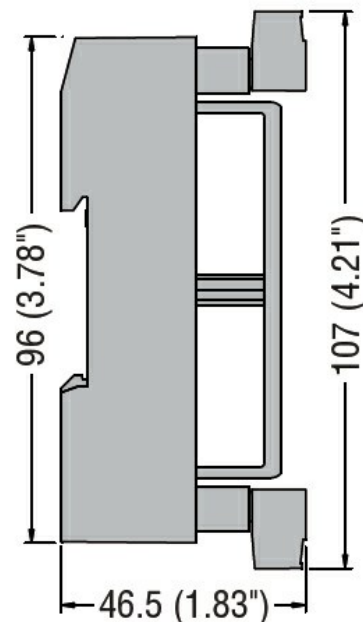
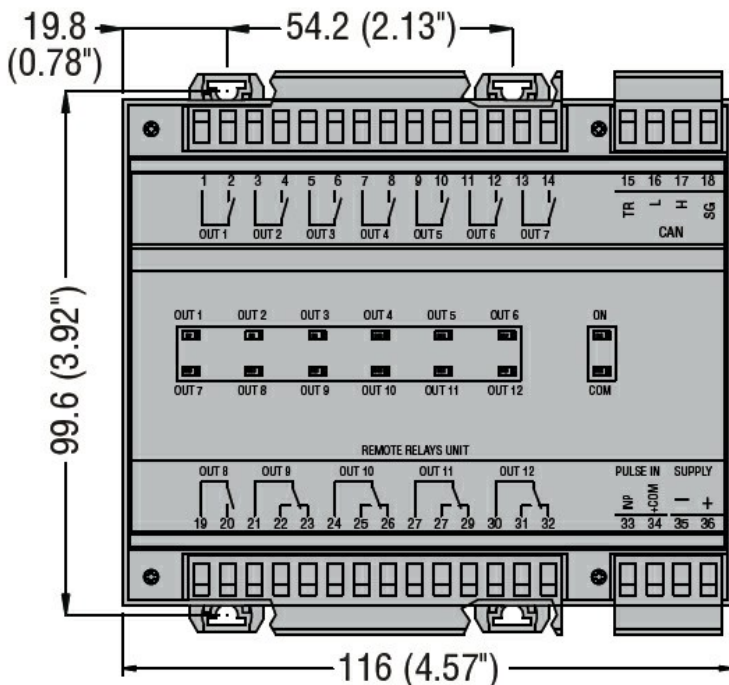
Conductor cross section

min	mm ²	0.2
Max	mm ²	2.5
min	AWG	24
Max	AWG	12

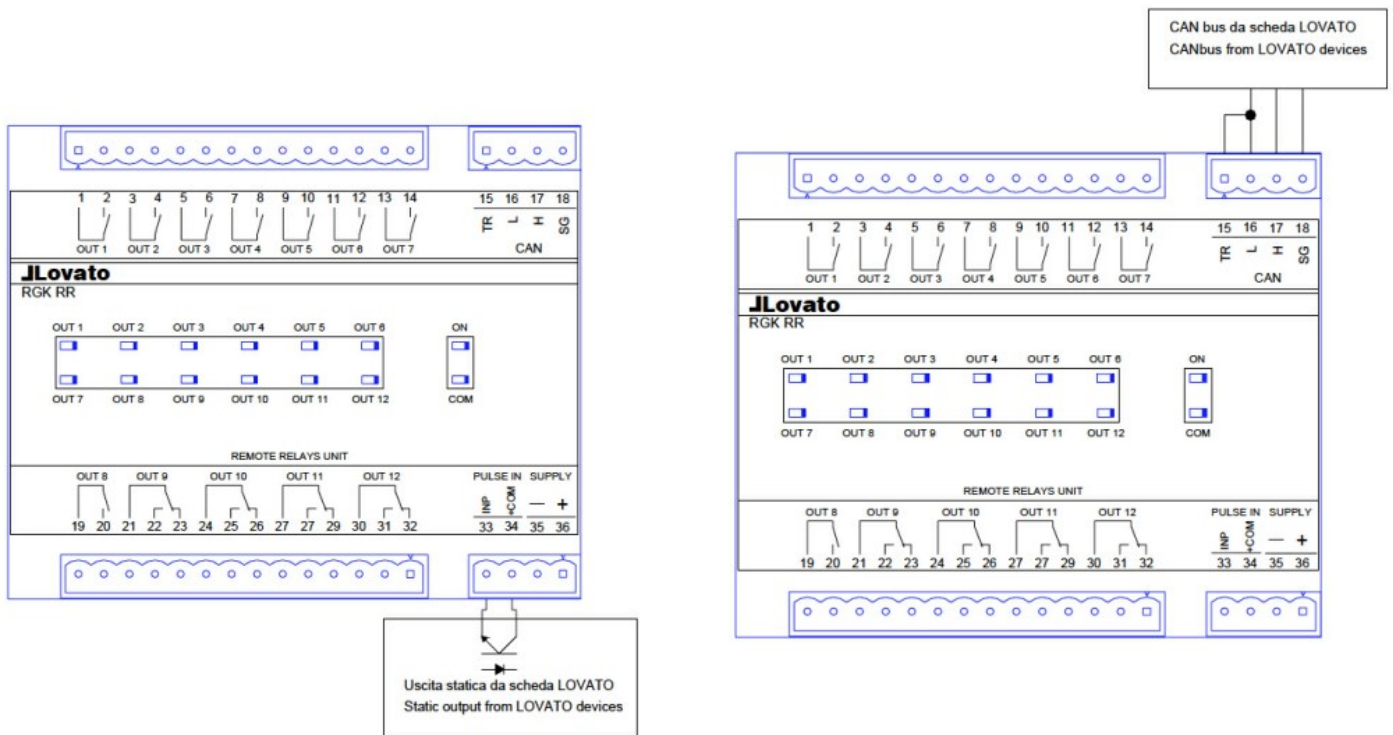
Tightening torque (Max)

Nm	0.56
lbin	4.5

Dimensions



Wiring diagrams



Certifications and compliance

Compliance

CSA C22.2 n° 14

IEC 61000-6-3

IEC/EN 61000-6-2

IEC/EN 61010-1

UL508

Certificates

EAC

UL Listed for USA and Canada (cULus-File E93601)

ETIM classification

ETIM 8.0

EC002498 -
Accessories/spare
parts for low-
voltage switch
technology