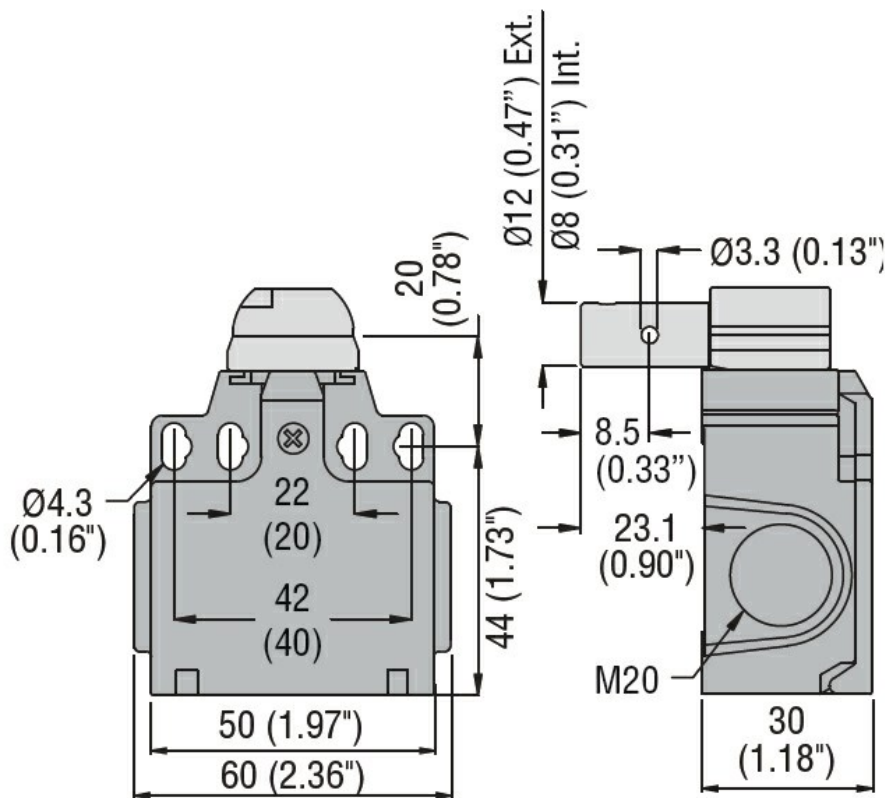




Product designation				Hinge operating
Product type designation				KNP
General characteristics				
General characteristics				
Housing Material				Aluminium-zinc alloy
Rod material				Short cylinder hinge
Contact characteristics				
Type of contact				2NC Slow action
Thermal current I _{th}	A			10
IEC/EN 60947-5-1 designation				A300 Q300
Rated insulation voltage U _i	V			440
Rated impulse withstand voltage U _{imp}	kV			4
Short-circuit protection with fuse	Class/A			10 gG/SC QUICK FUSE
Switching speed	min	m/s	0.5	
	max	m/s	1.5	
IEC Conventional free air thermal current I _{th}	A			10
Resistance per pole (average value)	mΩ			<10
Operations				
Mechanical life	cycles			100000
B10d	cycles			100000
Mechanical operation	cycles/h			3600
Output characteristics				
Mechanical life	cycles			100000
Mechanical features				
Operating head fixing				Locking bayonet insert
Operating torque	Ncm			15
	ozin			21.2
Tightening torque (Max)				
Switch fixing	Nm			2.5
	lbin			22.1
Contact terminals	Nm			0.8
	lbin			7
Body lid screw fixing	Nm			0.8
	lbin			7
Conductor section	AWG/Kcmil			

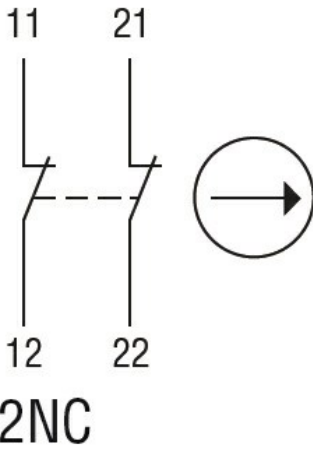
	min	16	
	max	14	
IEC	min	mm ²	1 or 2
	max	mm ²	2.5
Cable connection	Self-releasing screw terminal		
Cable entry	M20 on the sides		
Ambient conditions			
Pollution degree	3		
Temperature			
Operating temperature			
	min	°C	-25
	max	°C	+70
Storage temperature			
	min	°C	-40
	max	°C	+70

Dimensions



Wiring diagrams

Slow action



Certifications and compliance

Compliance

CSA C22.2 n° 14
EN 50047
IEC/EN 60204-1
IEC/EN 60947-1
IEC/EN 60947-5-1
UL508

Certificates

CCC
cULus
EAC

ETIM classification

ETIM 8.0

EC000030 - End
switch