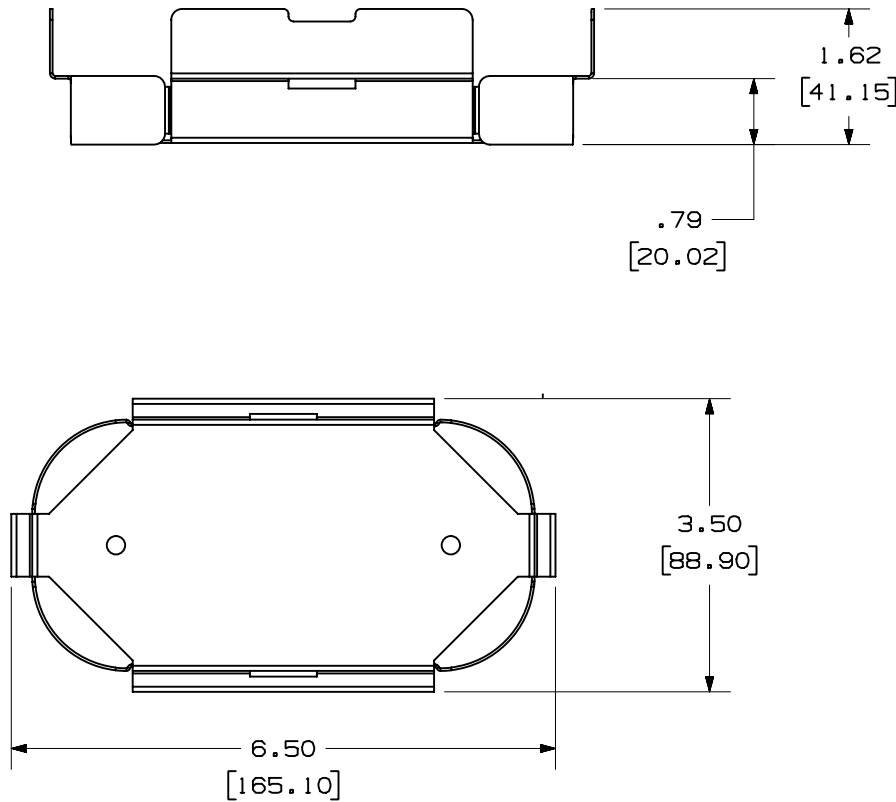


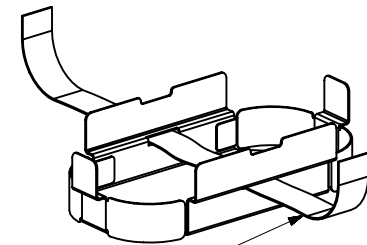
THIS COPY IS PROVIDED ON A RESTRICTED BASIS AND IS NOT TO BE USED IN ANY WAY DETRIMENTAL TO THE INTERESTS OF PANDUIT CORP.

PANDUIT P/N	WEIGHT
FSTHS	.10 LB/1 PC (46 g/1 PC)



NOTES:

- SPLICE TRAY HOLDER IS SUPPLIED WITH 1 TY-TAK
- SEE CATALOG FOR COMPLETE LIST OF PARTS APPLICABLE FOR USE WITH THIS PART.
- DIMENSIONS IN PARENTHESES ARE IN METRIC.
- SPLICE TRAY HOLDER WILL ACCOMMODATE UP TO (2) TWO FSTK SPLICE TRAYS WITH ACCOMODATIONS FOR FIBER SPOOLING.
- MATERIAL: ALUMINUM



TY-TAK

CAD FILENAME/LAYERS		M00466AS_DC_00A.PRT	
<b>PANDUIT</b> CORP. TINLEY PARK, ILLINOIS			
SPLICE TRAY HOLDER UNIT (FSTHS) CUSTOMER DRAWING			
UNLESS OTHERWISE SPECIFIED, DIMENSIONAL TOLERANCES ARE: (.X) ± (.XXX) ± .010 (.3) (.XX) ± .03 (.8) ANGLES ±		UNLESS OTHERWISE SPECIFIED, ALL DIMENSIONS ARE GIVEN IN INCHES, THIRD ANGLE PROJECTION.	
DRAWN BY ADP	MAT'L:	SCALE NONE	
DATE 11-12-01	CHECKED BY	DRAWING NO. 00466-64	DWG A

REV	DATE	BY	CHK	DESCRIPTION	ECN	CHK	CUST	SUP
R	11-12-01	ADP		RELEASED TO PRODUCTION.	00466-64			