



Product designation  
Product type designation

Power contactor  
BF115

**Contact characteristics**

Number of poles	Nr.	4
Rated insulation voltage U <sub>i</sub> IEC/EN	V	1000
Rated impulse withstand voltage U <sub>imp</sub>	kV	8
Operational frequency	min	Hz 25
	max	Hz 400
IEC Conventional free air thermal current I <sub>th</sub>	A	160
Operational current I <sub>e</sub>	AC-1 (≤40°C)	A 160
	AC-1 (≤55°C)	A 130
	AC-1 (≤70°C)	A 115
	AC-3 (≤440V ≤55°C)	A 115
	AC-4 (400V)	A 54
Rated operational current AC-3 (T≤55°C)	230V	A 115
	400V	A 115
	415V	A 115
	440V	A 115
	500V	A 106
	690V	A 106
	1000V	A 39
IEC max current I <sub>e</sub> in DC1 with L/R ≤ 1ms with 1 poles in series	≤24V	A 160
	48V	A 160
	75V	A 120
	110V	A 10
	220V	A –
	IEC max current I <sub>e</sub> in DC1 with L/R ≤ 1ms with 2 poles in series	≤24V
48V		A 160
75V		A 160
110V		A 130
220V		A 14
IEC max current I <sub>e</sub> in DC1 with L/R ≤ 1ms with 3 poles in series		≤24V
	48V	A 160
	75V	A 160
	110V	A 140
	220V	A 145
	IEC max current I <sub>e</sub> in DC1 with L/R ≤ 1ms with 4 poles in series	≤24V
48V		A 160

	75V	A	160
	110V	A	160
	220V	A	160
<hr/>			
IEC max current Ie in DC3-DC5 with L/R ≤ 15ms with 1 poles in series	≤24V	A	160
	48V	A	50
	75V	A	40
	110V	A	6
	220V	A	–
<hr/>			
IEC max current Ie in DC3-DC5 with L/R ≤ 15ms with 2 poles in series	≤24V	A	160
	48V	A	72
	75V	A	65
	110V	A	65
	220V	A	7
<hr/>			
IEC max current Ie in DC3-DC5 with L/R ≤ 15ms with 3 poles in series	≤24V	A	160
	48V	A	150
	75V	A	100
	110V	A	100
	220V	A	92
<hr/>			
IEC max current Ie in DC3-DC5 with L/R ≤ 15ms with 4 poles in series	≤24V	A	160
	48V	A	120
	75V	A	120
	110V	A	125
	220V	A	115
<hr/>			
Short-time allowable current for 10s (IEC/EN60947-1)		A	920
<hr/>			
Protection fuse	gG (IEC)	A	200
	aM (IEC)	A	125
<hr/>			
Making capacity (RMS value)		A	1500
<hr/>			
Breaking capacity at voltage	440V	A	1200
	500V	A	850
	690V	A	905
<hr/>			
Resistance per pole (average value)		mΩ	0.45
<hr/>			
Power dissipation per pole (average value)	Ith	W	11.5
	AC-3	W	6.0
<hr/>			
Tightening torque for terminals	min	Nm	6
	max	Nm	7
	min	lbin	4.4
	max	lbin	5.2
<hr/>			
Tightening torque for coil terminal	min	Nm	0.8
	max	Nm	1
	min	lbin	0.59
	max	lbin	0.74
<hr/>			
Conductor section	AWG/Kcmil		
	max		2/0

Flexible w/o lug conductor section			
	min	mm <sup>2</sup>	1.5
	max	mm <sup>2</sup>	70
Flexible c/w lug conductor section			
	min	mm <sup>2</sup>	1.5
	max	mm <sup>2</sup>	70
Power terminal protection according to IEC/EN 60529			IP20 front
<b>Mechanical features</b>			
Operating position			
	normal allowable	Vertical plan ±30°	
Fixing			Screw / DIN rail 35mm
Weight			g 2420
Conductor section			
AWG/kcmil conductor section			
	max	2/0	
<b>Operations</b>			
Mechanical life		cycles	15000000
Electrical life		cycles	1200000
<b>AC coil operating</b>			
Rated AC voltage at 60Hz		V	230
AC operating voltage			
of 50/60Hz coil powered at 50Hz drop-out		max	%Us 55
of 60Hz coil powered at 60Hz pick-up		min	%Us 80
		max	%Us 110
drop-out		min	%Us 20
		max	%Us 55
AC average coil consumption at 20°C			
of 60Hz coil powered at 60Hz		in-rush holding	VA 300
			VA 20
<b>Max cycles frequency</b>			
Mechanical operation		cycles/h	1500
<b>Operating times</b>			
Average time for Us control in AC			
Closing NO		min	ms 16
		max	ms 32
Opening NO		min	ms 9
		max	ms 24
<b>UL technical data</b>			
General USE			
Contactor		AC current	A 165
Short-circuit protection fuse, 600V High fault			

Short circuit current	kA	100
Fuse rating	A	200
Fuse class		J

Standard fault

Short circuit current	kA	10
Fuse rating	A	250
Fuse class		RK5

Ambient conditions

Temperature

Operating temperature

min	°C	-50
max	°C	70

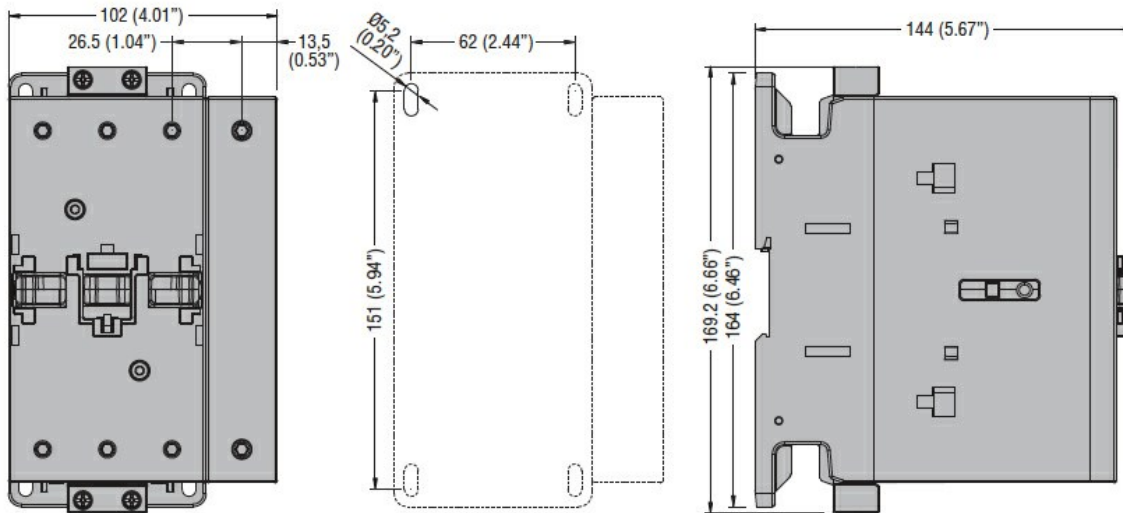
Storage temperature

min	°C	-60
max	°C	+80

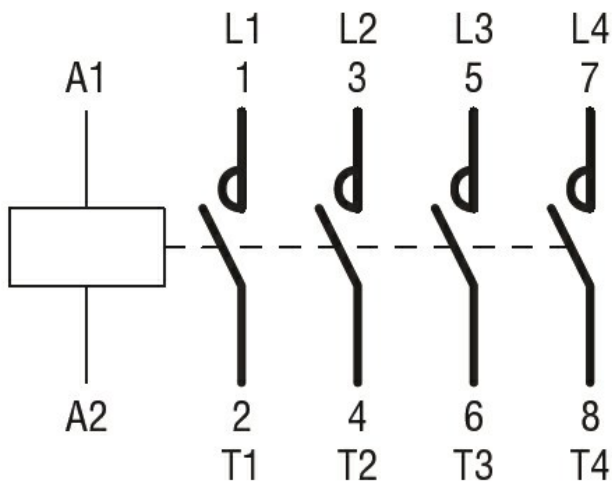
Max altitude

m 3000

Dimensions



Wiring diagrams



Certifications and compliance

Compliance

CSA C22.2 n° 60947-1

CSA C22.2 n° 60947-4-1

IEC/EN/BS 60947-1

---

IEC/EN/BS 60947-4-1

---

UL 60947-1

---

UL 60947-4-1

Certificates

---

CCC

---

cULus

---

EAC

ETIM classification

ETIM 8.0

EC000066 -  
Power contactor,  
AC switching