

Part number

# MHO 24 L32



Hood, C-TYPE series, with 2 pegs, M32 side cable entry, size "104.27"

| Product description                           |                         | Material properties                 |                      |
|---|-------------------------|-------------------------------------|----------------------|
| <b>Product type</b>                           | Hood                    | <b>Colour</b>                       | RAL 7040 grey        |
| <b>Series</b>                                 | C-TYPE                  | <b>RoHs conformity</b>              | Compliant            |
| <b>Closing type</b>                           | With 2 pegs             | <b>China RoHs - EFUP</b>            | E                    |
| <b>Size</b>                                   | Size 104.27             | <b>REACH SVHC substances</b>        | No                   |
| <b>Cable entry</b>                            | Side cable entry<br>M32 | <b>Approvals / Standards</b>        |                      |
| <b>Technical data</b>                         |                         | <b>Certifications</b>               | DNV, BV              |
| <b>IP degree of protection</b>                | IP65 / IP66 / IP69      | <b>UL</b>                           | ECBT2                |
| <b>Further technical details</b>              |                         | <b>cUL</b>                          | ECBT8                |
| <b>Weight</b>                                 | 190,00 g                | <b>General ordering information</b> |                      |
| <b>Operating temperature range (min, max)</b> | -40°C...+125°C          | <b>EAN13 code</b>                   | 8015747053488        |
|   |                         | <b>eCl@ss 8.1</b>                   | 27440202             |
|   |                         | <b>ETIM 7.0</b>                     | EC000437             |
|   |                         | <b>Packaging Information</b>        |                      |
|   |                         | <b>Packaging length</b>             | 255,00 mm            |
|   |                         | <b>Packaging height</b>             | 150,00 mm            |
|   |                         | <b>Packaging width</b>              | 180,00 mm            |
|   |                         | <b>Packaging weight</b>             | 2,18 kg              |
|   |                         | <b>Packaging volume</b>             | 6,89 dm <sup>3</sup> |
|   |                         | <b>Packaging description</b>        | Carton box           |
|   |                         | <b>Packaging quantity</b>           | 10 Pcs               |
|   |                         | <b>Packaging EAN code</b>           | 8015747053495        |
|   |                         | <b>Sub-packaging weight</b>         | 1,09 kg              |
|   |                         | <b>Sub-packaging description</b>    | Plastic packaging    |
|   |                         | <b>Sub-packaging quantity</b>       | 5 Pcs                |
|   |                         | <b>Sub-packaging EAN barcode</b>    | 8015747053501        |

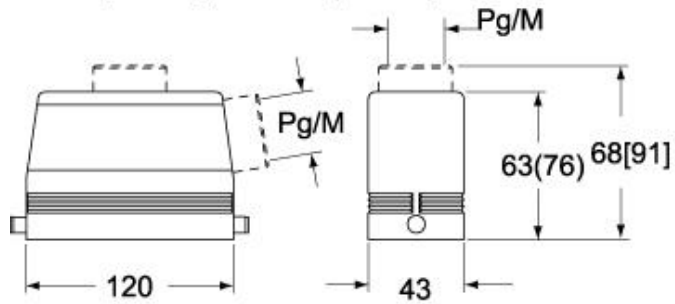
Part number

# MHO 24 L32

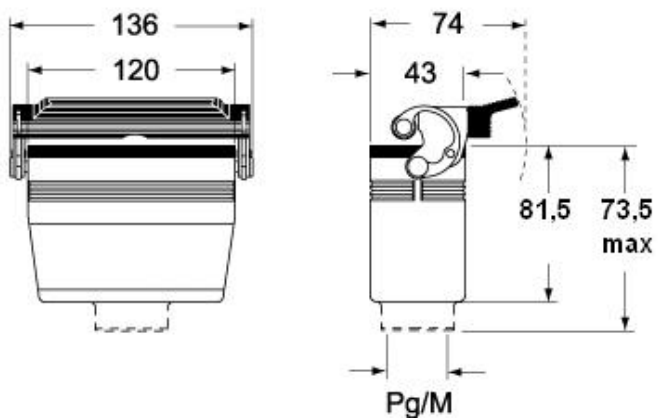


## Catalogue drawings

**CHO L (CAO L) - MHO L [MAO L]  
CHV L [CAV L] - MHV L (MAV L)**



**CHV LG (CAV LG), MHV LG (MAV LG) [MFV LG]**



## Notes

Dimensions shown in mm are not binding and may be changed without notice.