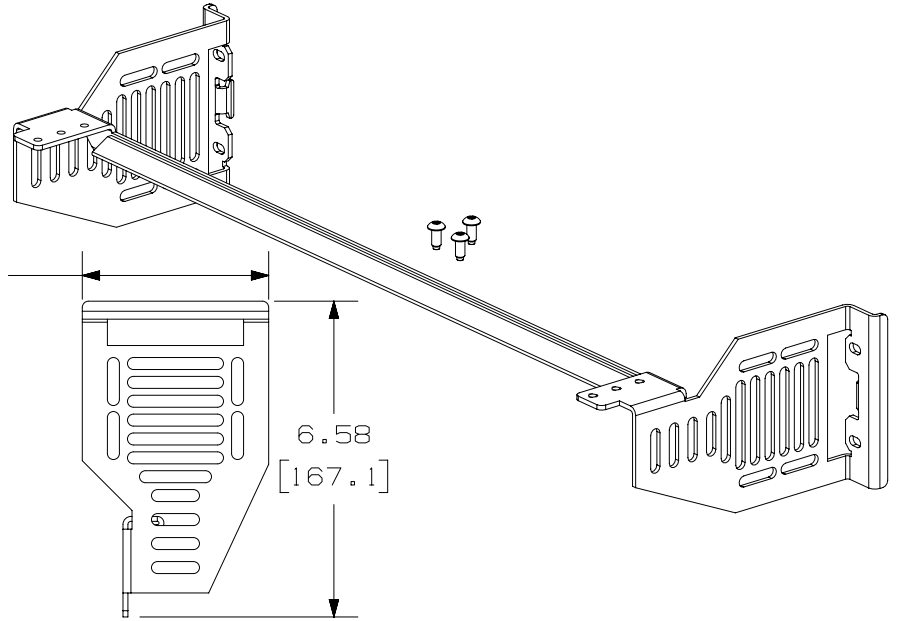
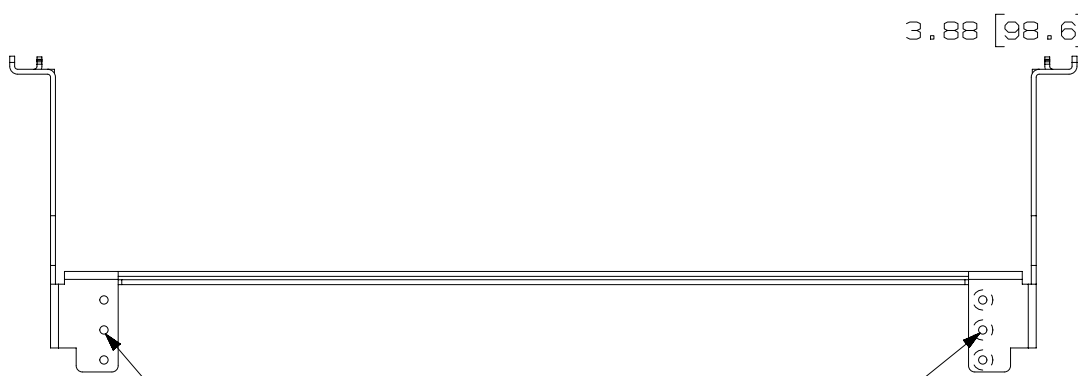
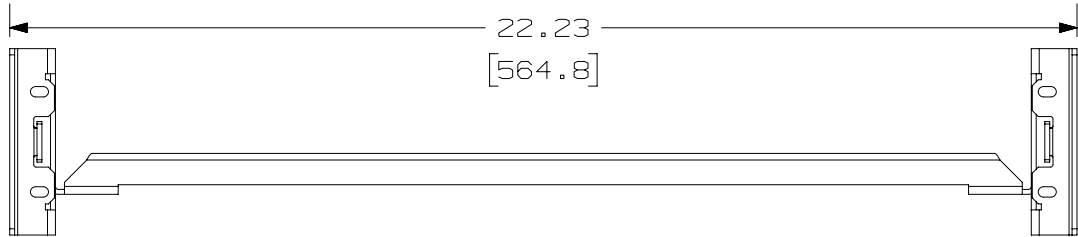


THIS COPY IS PROVIDED ON A RESTRICTED BASIS AND IS NOT TO BE USED IN ANY WAY DETRIMENTAL TO THE INTERESTS OF PANDUIT CORP.

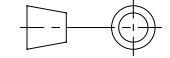

NOTES:

1. VISIT OUR ON-LINE CATALOG AT WWW.PANDUIT.COM FOR A LIST OF CURRENT PARTS APPLICABLE FOR USE WITH THIS PRODUCT.
2. DIMENSIONS IN [] ARE METRIC.
3. ALL MATERIALS AND COMPONENTS USED MEET THE MATERIAL RESTRICTIONS OF RoHS (EUROPEAN DIRECTIVE 2011/65/EU ON THE RESTRICTION OF HAZARDOUS SUBSTANCES) AS PROPOSED BY THE RoHS TECHNICAL ADAPTATION COMMITTEE.
4. WEIGHT: 1.6 LB [0.73 kg]
5. PART INCLUDES:
 1- BONUS RU BRACKET
 3- M5 X 12mm BUTTON HEAD SCREWS



STANDARD RU SPACING

STANDARD RU SPACING

PART NUMBER		WME91RU	
TITLE		WME9 BONUS RU BRACKET	
CUSTOMER DRAWING			
ITEM REVISION NAME		00490EAH/00	
DATASET FILE NAME		00490EAH_DC/00A	
 THIRD ANGLE PROJECTION			
MATERIAL			
DRAWING NUMBER		00490EAH-DC	
DRAWN BY	DATE	CHK	SCALE
TWV	5-19-20	KZU	1:4
SHEET 1 OF 1		A	

00A	5-19-20	TWV	KZU	BETL	RELEASED TO PRODUCTION	M09000L0
REV	DATE	BY	CHK	APR	DESCRIPTION	ECN

A-SIZE CUSTOMER

2

1

2

1