

Emergency lighting Self Contained

CrystalWay - Metallic base cover



A touch of class for your projects New CrystalWay metallic base cover

CrystalWay is now worldwide recognized as a reference for high quality, aesthetic and great performance exit sign. It brings together a range of flexible mounting options and a modern yet discreet design perfectly suited to modern office and commercial buildings where a high-end aesthetic is required.

Today, you can add a "touch of class" in your projects with the stainless steel cover which can be easily clipped on the base of the luminaire in a few seconds without any tool, giving to the luminaire a more exclusive appearance.

Features

- High-quality stainless steel V2A
- Simple tool-free installation
- Suitable for retrofitting

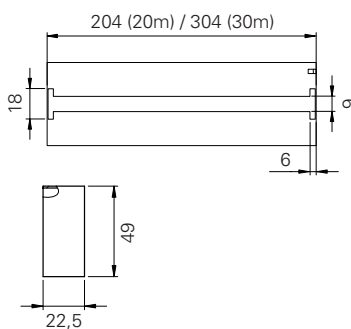
Order codes

Order code Description

40071708300 Stainless steel cover for CrystalWay 20m SelfContained

40071708287 Stainless steel cover for CrystalWay 30m SelfContained

Dimensions in mm



EATON

Powering Business Worldwide

Eaton Industries Manufacturing GmbH
Electrical Sector EMEA
Route de la Longeraie 7
1110 Morges, Switzerland
Eaton.eu

© 2019 Eaton Corporation
All Rights Reserved
June 2019

www.eaton.com

Changes to the products, to the information contained in this document, and to prices are reserved; so are errors and omissions. Only order confirmations and technical documentation by Eaton is binding. Photos and pictures also do not warrant a specific layout or functionality. Their use in whatever form is subject to prior approval by Eaton. The same applies to Trademarks (especially Eaton, Moeller, Cutler-Hammer and CEAG). The Terms and Conditions of Eaton apply, as referenced on Eaton Internet pages and Eaton order confirmations.