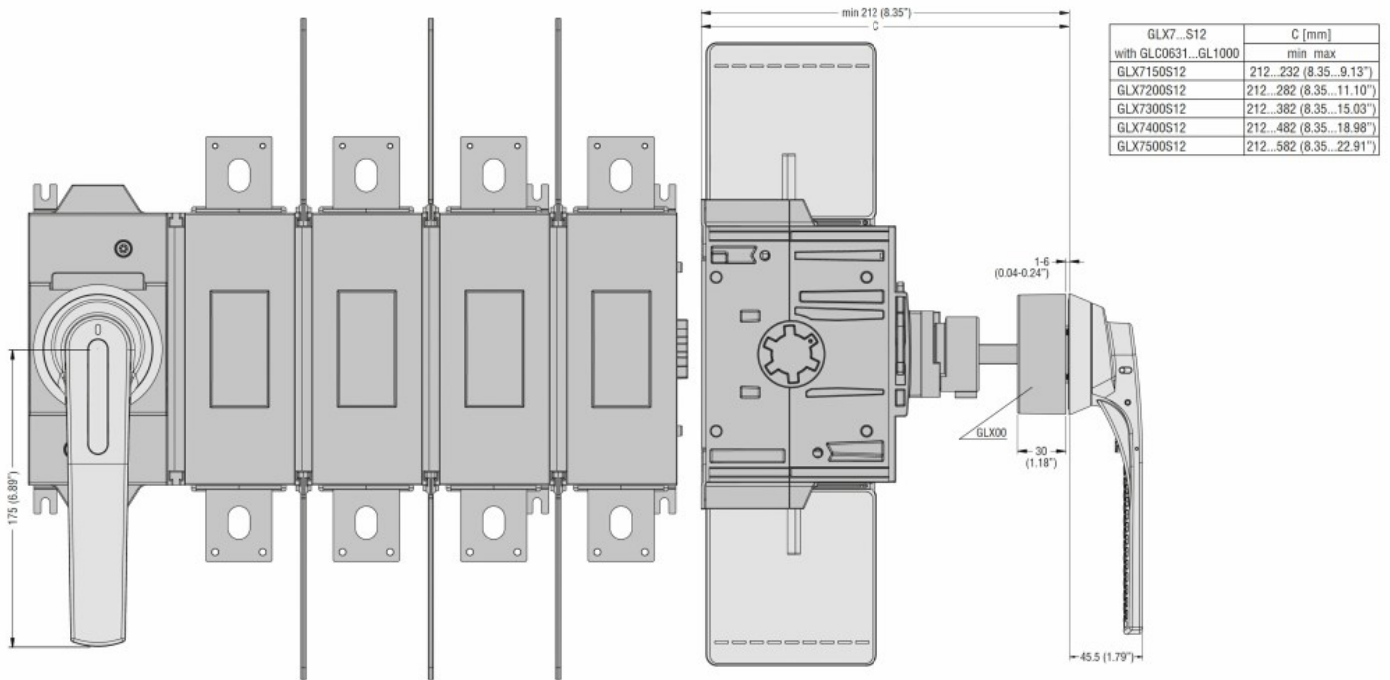




Dimensions



Certifications and compliance

Certifications

cULus

ETIM classification

ETIM 8.0

EC002498 -
Accessories/spare
parts for low-
voltage switch
technology