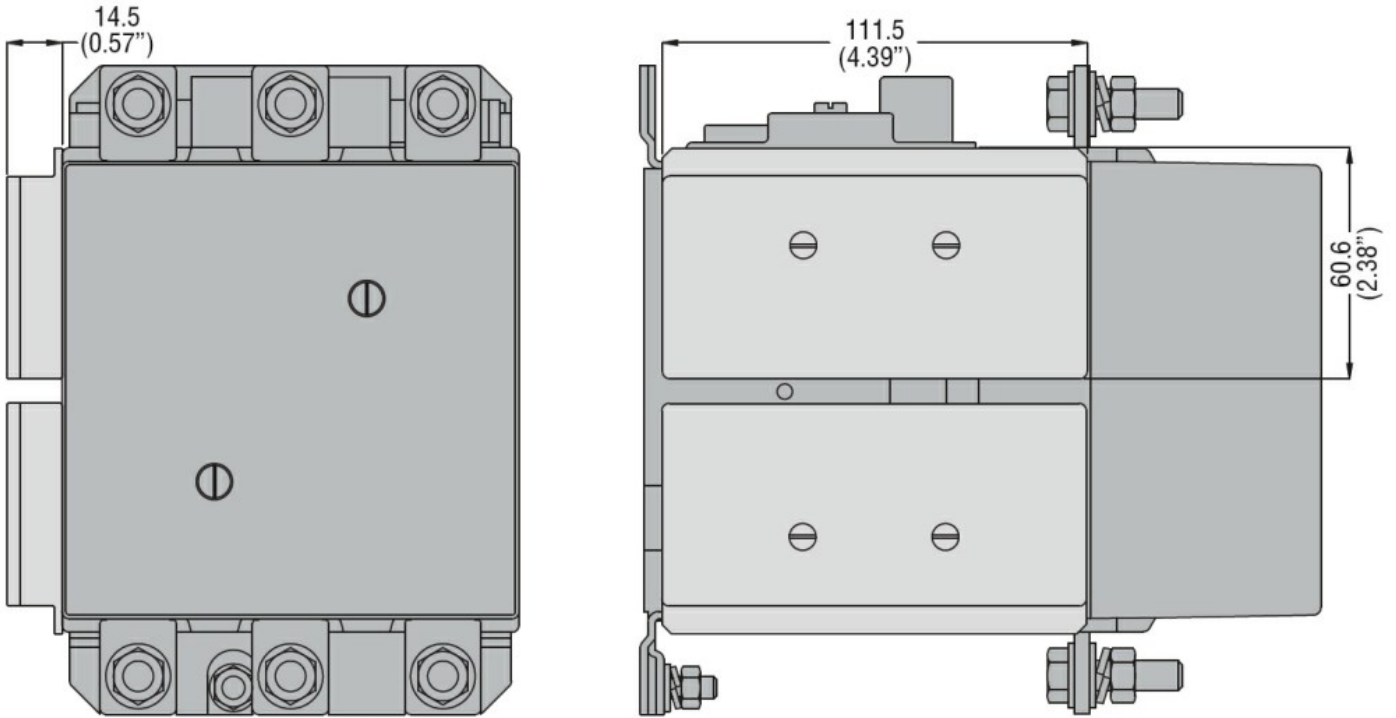
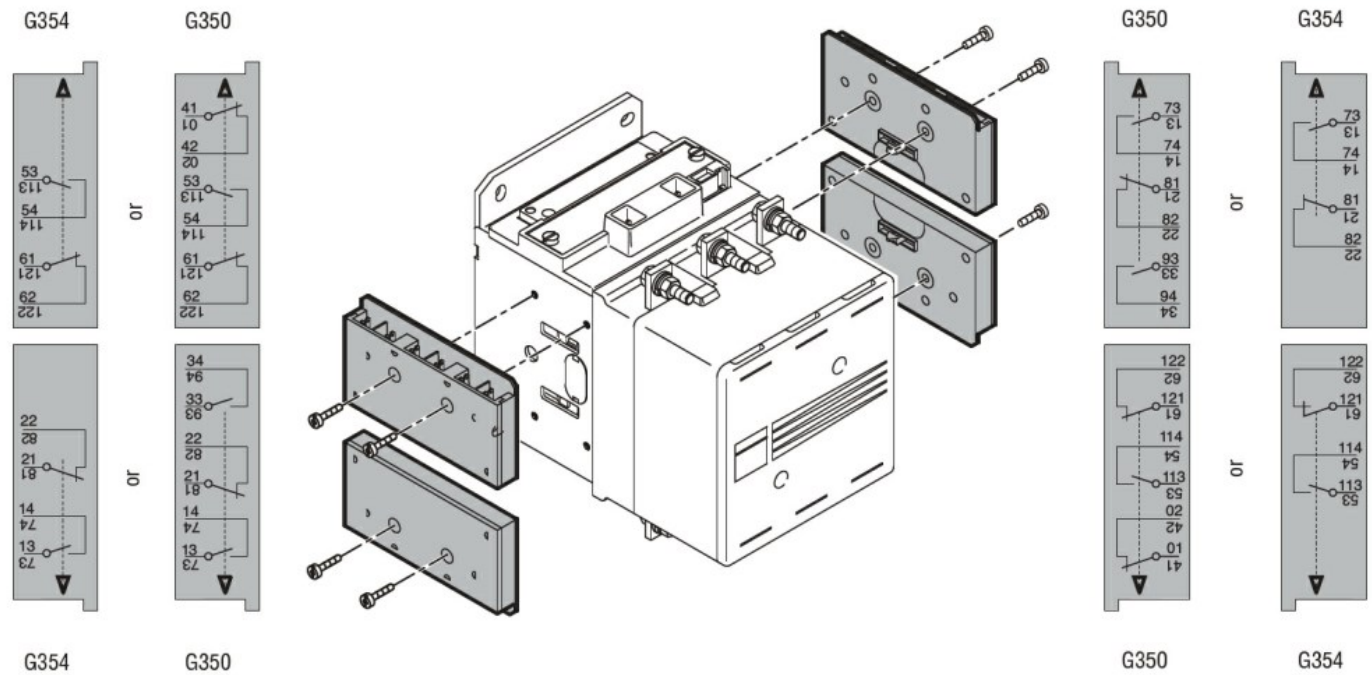




Product designation				Auxiliary contact
Product type designation				G350
<b>Contact characteristics</b>				
Number of poles	Nr.	4		
Rated insulation voltage $U_i$ IEC/EN	V	690		
IEC Conventional free air thermal current $I_{th}$	A	10		
<b>Mechanical features</b>				
Operating position	normal allowable	On vertical plane Any		
Fixing				Side mounting
Weight	g	82		
<b>Auxiliary contact characteristics</b>				
Type of contact				2NO+1NC or 1NO+2NC reversible
Thermal current $I_{th}$	A	10		
IEC/EN 60947-5-1 designation				A600 - P600
Operating current AC15		230V	A	3
		400V	A	1.9
		500V	A	1.4
<b>Electrical characteristics</b>				
Conductivity				5V 10 mA
UL/CSA and IEC/EN 60947-5-1 designation				A600 P600
Operating current AC15		120V	A	6
		240V	A	3
		480V	A	1.5
<b>Ambient conditions</b>				
Temperature				
Operating temperature				
	min	°C	-50	
	max	°C	+70	
Storage temperature				
	min	°C	-60	
	max	°C	+80	
Max altitude		m	3000	
<b>Dimensions</b>				



**Wiring diagrams**



**Certifications and compliance**

**Compliance**

- CSA C22.2 n° 60947-1
- CSA C22.2 n° 60947-5-1
- IEC/EN 60947-1
- IEC/EN 60947-5-1
- UL 60947-1
- UL 60947-5-1

**Certificates**

- CCC
- cULus
- EAC

---

UR

ETIM classification

ETIM 8.0

EC000041 -  
Auxiliary contact  
block