

**P31 - CHANGEMENT DE PLAN CONVEXE 90D**  
**P31 - OUTSIDE RISER 90D**

 Reference(s) : **481054/55/56/57/58/59/60**  
 Items(s) : **482010/11/12/13/14/15/16**

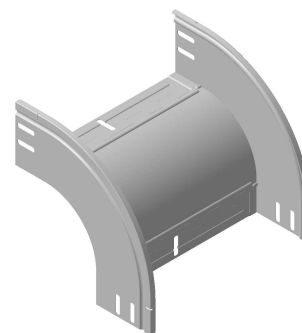
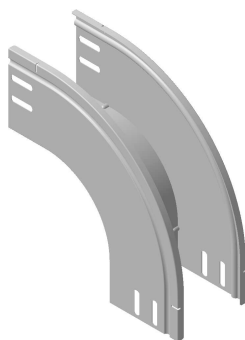

100 mm



75 -&gt; 150 mm



200 -&gt; 600 mm


**1. GAMME/RANGE**
**P31 - CHGT PLAN CONVEXE 90D H100 GS**
**P31 - OUTSIDE RISER 90D H100 PG**

Designation Description	Code	Poids Weight (Kg)	Épaisseur Thickness (mm)	Matière Raw Material	Norme matière Standard Raw Material	Finition Coating	Norme Finition Standard Coating	Section (mm <sup>2</sup> )
P31-CHGT PLAN CONVEXE 90D 100X100 GS P31-OUTSIDE RISER 90D 100X100 PG	481054	0,65	0,7	DX51D + Z200	EN 10346	GS/PG/Z	EN 10346	10193
P31-CHGT PLAN CONVEXE 90D 100X150 GS P31-OUTSIDE RISER 90D 100X150 PG	481055	0,73	0,7	DX51D + Z200	EN 10346	GS/PG/Z	EN 10346	15258
P31-CHGT PLAN CONVEXE 90D 100X200 GS P31-OUTSIDE RISER 90D 100X200 PG	481056	0,80	0,7	DX51D + Z200	EN 10346	GS/PG/Z	EN 10346	20323
P31-CHGT PLAN CONVEXE 90D 100X300 GS P31-OUTSIDE RISER 90D 100X300 PG	481057	0,95	0,7	DX51D + Z200	EN 10346	GS/PG/Z	EN 10346	30453
P31-CHGT PLAN CONVEXE 90D 100X400 GS P31-OUTSIDE RISER 90D 100X400 PG	481058	1,10	0,7	DX51D + Z200	EN 10346	GS/PG/Z	EN 10346	40583
P31-CHGT PLAN CONVEXE 90D 100X500 GS P31-OUTSIDE RISER 90D 100X500 PG	481059	1,25	0,7	DX51D + Z200	EN 10346	GS/PG/Z	EN 10346	50713
P31-CHGT PLAN CONVEXE 90D 100X600 GS P31-OUTSIDE RISER 90D 100X600 PG	481060	1,40	0,7	DX51D + Z200	EN 10346	GS/PG/Z	EN 10346	60843

 Classe de résistance contre la corrosion 3 (IEC 61537)  
 Corrosion resistance classification 3 (IEC 61537)

**P31 - CHGT PLAN CONVEXE 90D H100 GC**
**P31 - OUTSIDE RISER 90D H100 HDG**

Designation Description	Code	Poids Weight (Kg)	Épaisseur Thickness (mm)	Matière Raw Material	Norme matière Standard Raw Material	Finition Coating	Norme Finition Standard Coating	Section (mm <sup>2</sup> )
P31-CHGT PLAN CONVEXE 90D 100X100 GC P31-OUTSIDE RISER 90D 100X100 HDG	482010	0,71	0,7	DC01	EN 10130	GC/HDG/C	ISO 1461	10193
P31-CHGT PLAN CONVEXE 90D 100X150 GC P31-OUTSIDE RISER 90D 100X150 HDG	482011	0,80	0,7	DC01	EN 10130	GC/HDG/C	ISO 1461	15258
P31-CHGT PLAN CONVEXE 90D 100X200 GC P31-OUTSIDE RISER 90D 100X200 HDG	482012	0,88	0,7	DC01	EN 10130	GC/HDG/C	ISO 1461	20323
P31-CHGT PLAN CONVEXE 90D 100X300 GC P31-OUTSIDE RISER 90D 100X300 HDG	482013	1,04	0,7	DC01	EN 10130	GC/HDG/C	ISO 1461	30453
P31-CHGT PLAN CONVEXE 90D 100X400 GC P31-OUTSIDE RISER 90D 100X400 HDG	482014	1,21	0,7	DC01	EN 10130	GC/HDG/C	ISO 1461	40583
P31-CHGT PLAN CONVEXE 90D 100X500 GC P31-OUTSIDE RISER 90D 100X500 HDG	482015	1,37	0,7	DC01	EN 10130	GC/HDG/C	ISO 1461	50713
P31-CHGT PLAN CONVEXE 90D 100X600 GC P31-OUTSIDE RISER 90D 100X600 HDG	482016	1,54	0,7	DC01	EN 10130	GC/HDG/C	ISO 1461	60843

 Classe de résistance contre la corrosion 6 (IEC 61537)  
 Corrosion resistance classification 6 (IEC 61537)

**P31 - CHANGEMENT DE PLAN CONVEXE 90D**  
**P31 - OUTSIDE RISER 90D**

 Reference(s) : **483500/01/02/03/04/05/06**  
 Items(s) : **483322/23/24/25/26/27/28**

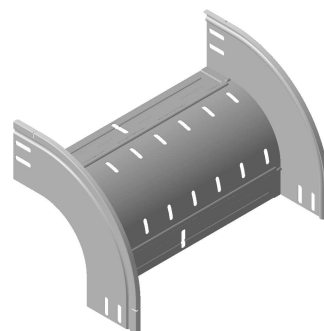
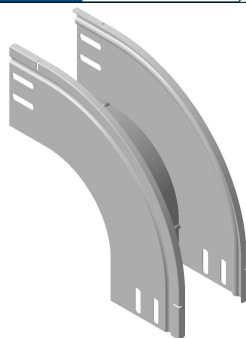

100 mm



75 -&gt; 150 mm



200 -&gt; 600 mm


**1. GAMME/RANGE**
**P31 - CHGT PLAN CONVEXE PERF 90D H100 GS**  
**P31 - OUTSIDE RISER 90D PERF H100 PG**

Designation Description	Code	Poids Weight (Kg)	Épaisseur Thickness (mm)	Matière Raw Material	Norme matière Standard Raw Material	Finition Coating	Norme Finition Standard Coating	Section (mm <sup>2</sup> )
P31-CHGT PLAN CONVEXE 90D PERF 100X100 GS P31-OUTSIDE RISER 90D PERF 100X100 PG	483500	0,65	0,7	DX51D + Z200	EN 10346	GS/PG/Z	EN 10346	10193
P31-CHGT PLAN CONVEXE 90D PERF 100X150 GS P31-OUTSIDE RISER 90D PERF 100X150 PG	483501	0,73	0,7	DX51D + Z200	EN 10346	GS/PG/Z	EN 10346	15258
P31-CHGT PLAN CONVEXE 90D PERF 100X200 GS P31-OUTSIDE RISER 90D PERF 100X200 PG	483502	0,80	0,7	DX51D + Z200	EN 10346	GS/PG/Z	EN 10346	20323
P31-CHGT PLAN CONVEXE 90D PERF 100X300 GS P31-OUTSIDE RISER 90D PERF 100X300 PG	483503	0,94	0,7	DX51D + Z200	EN 10347	GS/PG/Z	EN 10346	30453
P31-CHGT PLAN CONVEXE 90D PERF 100X400 GS P31-OUTSIDE RISER 90D PERF 100X400 PG	483504	1,09	1,7	DX51D + Z200	EN 10347	GS/PG/Z	EN 10346	40583
P31-CHGT PLAN CONVEXE 90D PERF 100X500 GS P31-OUTSIDE RISER 90D PERF 100X500 PG	483505	1,23	0,7	DX51D + Z200	EN 10346	GS/PG/Z	EN 10346	50713
P31-CHGT PLAN CONVEXE 90D PERF 100X600 GS P31-OUTSIDE RISER 90D PERF 100X600 PG	483506	1,38	0,7	DX51D + Z200	EN 10346	GS/PG/Z	EN 10346	60843

 Classe de résistance contre la corrosion 3 (IEC 61537)  
 Corrosion resistance classification 3 (IEC 61537)

**P31 - CHGT PLAN CONVEXE PERF 90D H100 GC**  
**P31 - OUTSIDE RISER 90D PERF H100 HDG**

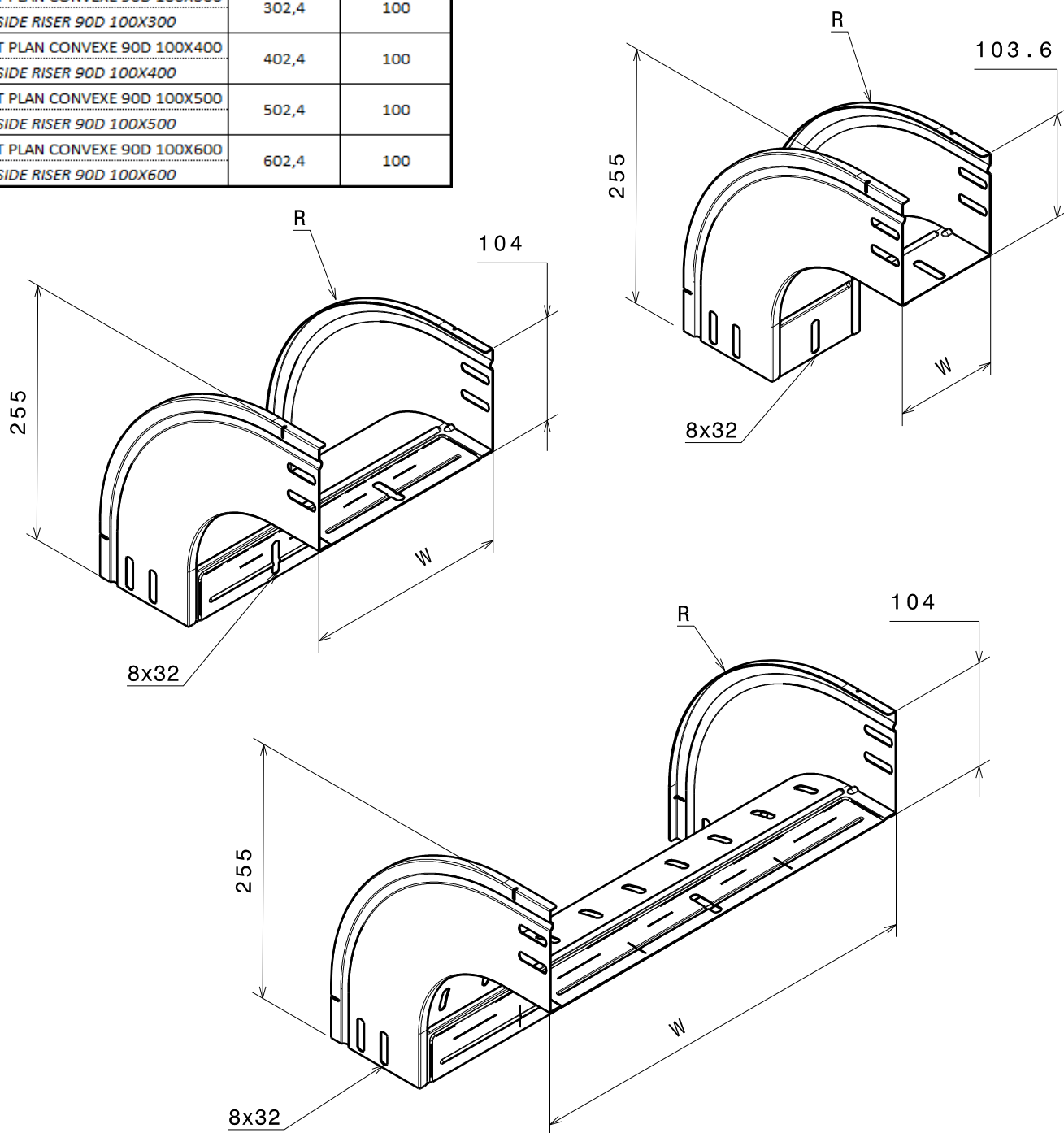
Designation Description	Code	Poids Weight (Kg)	Épaisseur Thickness (mm)	Matière Raw Material	Norme matière Standard Raw Material	Finition Coating	Norme Finition Standard Coating	Section (mm <sup>2</sup> )
P31-CHGT PLAN CONVEXE 90D PERF 100X100 GC P31-OUTSIDE RISER 90D PERF 100X100 HDG	483322	0,71	0,7	DC01	EN 10130	GC/HDG/C	ISO 1461	10193
P31-CHGT PLAN CONVEXE 90D PERF 100X150 GC P31-OUTSIDE RISER 90D PERF 100X150 HDG	483323	0,80	0,7	DC01	EN 10130	GC/HDG/C	ISO 1461	15258
P31-CHGT PLAN CONVEXE 90D PERF 100X200 GC P31-OUTSIDE RISER 90D PERF 100X200 HDG	483324	0,88	0,7	DC01	EN 10130	GC/HDG/C	ISO 1461	20323
P31-CHGT PLAN CONVEXE 90D PERF 100X300 GC P31-OUTSIDE RISER 90D PERF 100X300 HDG	483325	1,03	0,7	DC01	EN 10130	GC/HDG/C	ISO 1461	30453
P31-CHGT PLAN CONVEXE 90D PERF 100X400 GC P31-OUTSIDE RISER 90D PERF 100X400 HDG	483326	1,20	0,7	DC01	EN 10130	GC/HDG/C	ISO 1461	40583
P31-CHGT PLAN CONVEXE 90D PERF 100X500 GC P31-OUTSIDE RISER 90D PERF 100X500 HDG	483327	1,35	0,7	DC01	EN 10130	GC/HDG/C	ISO 1461	50713
P31-CHGT PLAN CONVEXE 90D PERF 100X600 GC P31-OUTSIDE RISER 90D PERF 100X600 HDG	483328	1,52	0,7	DC01	EN 10130	GC/HDG/C	ISO 1461	60843

 Classe de résistance contre la corrosion 6 (IEC 61537)  
 Corrosion resistance classification 6 (IEC 61537)

**P31 - CHANGEMENT DE PLAN CONVEXE 90D**  
**P31 - OUTSIDE RISER 90D**

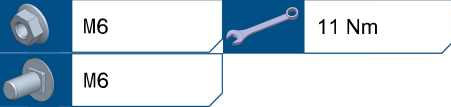
 Reference(s) : **481054/55/56/57/58/59/60**  
 Item(s) : **482010/11/12/13/14/15/16**  
**483500/01/02/03/04/05/06**  
**483322/23/24/25/26/27/28**
**2. DIMENSIONS (mm)**

Designation Description	Largeur Width ( W mm )	Rayon Radius ( mm )
P31-CHGT PLAN CONVEXE 90D 100X100 P31-OUTSIDE RISER 90D 100X100	102,4	100
P31-CHGT PLAN CONVEXE 90D 100X150 P31-OUTSIDE RISER 90D 100X150	152,4	100
P31-CHGT PLAN CONVEXE 90D 100X200 P31-OUTSIDE RISER 90D 100X200	202,4	100
P31-CHGT PLAN CONVEXE 90D 100X300 P31-OUTSIDE RISER 90D 100X300	302,4	100
P31-CHGT PLAN CONVEXE 90D 100X400 P31-OUTSIDE RISER 90D 100X400	402,4	100
P31-CHGT PLAN CONVEXE 90D 100X500 P31-OUTSIDE RISER 90D 100X500	502,4	100
P31-CHGT PLAN CONVEXE 90D 100X600 P31-OUTSIDE RISER 90D 100X600	602,4	100



P31 - CHANGEMENT DE PLAN CONVEXE 90D  
P31 - OUTSIDE RISER 90D

Reference(s) : 481054/55/56/57/58/59/60  
Item(s) : 482010/11/12/13/14/15/16  
483500/01/02/03/04/05/06  
483322/23/24/25/26/27/28



Reference(s) : 341895 (PG)  
Item(s) : 346895 (AISI 3162)

3. INSTALLATION

