

92100033031

Connector M98 3 Lines IP68 3P
3 Lines connection device IP68 16A 500V

WITH REFERENCE TO THE STANDARDS:

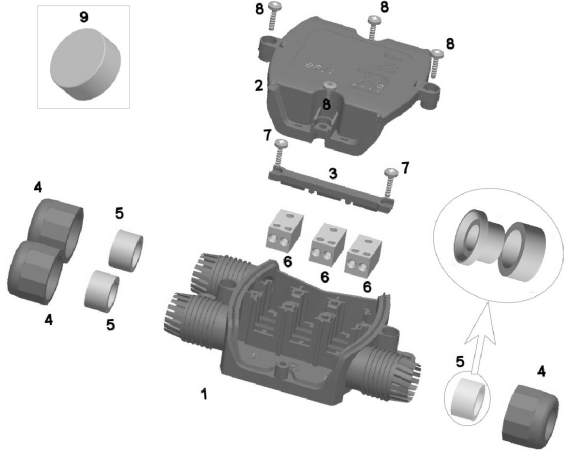
- EN60998
- EN60529 for IP grade
- EN50262 for cable gland
- EN60335 for traction and torsion tests



Note:

Even if the device is classified IP68 and has an electrical rating of 500V, we recommend to do not use the device in water with a tension more than 24V. To use this connection device please refer to the above mentioned standards and to the eventual limitations stated in the standards applied to the fixture or to the device that will be connected to.

Attention: read carefully this sheet "components list / assembling instructions" before installing this device.



1. COMPONENTS LIST

- Nr. 1 lower body in PA66 (art. 783)
- Nr. 1 upper cover in PA66 + thermoplastic rubber gasket "Levaprene" (SEBS) (art. 784)
- Nr. 1 press-gasket bridge in PA66 (art. 787)
- Nr. 3 hexagonal gland-nuts in PA66 (art. 786)
- Nr. 3 thermoplastic rubber cable-glands in "Forprene" (PP+EPDM) for cable with diameter between 6 and 10 mm (art. 788/10). The rubber cable-gland is built up by a first rubber annexed into a second one; use only the external rubber in case of cable with diameter from 10.5 mm to 11.0 mm.
- Nr. 3 2-ways clamps in nickel-plated brass complete with 2mm hexagonal head grub-screws in oil-blackened steel (art. XLM98)
- Nr. 2 2,5x16 screws for plastic, to fix the press-gasket bridge (art. 655)
- Nr. 4 3x12 inox screws for plastic, to close the cover with the body (art. 526H)
- Nr. 1 "blind" gasket in thermoplastic rubber "Forprene" (PP+EPDM) (art. 789)

2. RECOMMENDED CABLES PREPARATION FOR THE CONNECTION OF THE DEVICE

- 2.1. OUT: cable connected to "line Out 1" (line to be connected to fixture / device):**
 - unsheath 65mm,
 - shorten the ground (yellow/green core) to 50mm,
 - shorten the brown core to 30mm,
 - strip the cores 7mm (it is recommended, but not necessary, to prepare the conductors with end-terminals)
- 2.2. L1: cable to be connected to "line In" (line to be connected to the main power):**
 - unsheath 65mm,
 - shorten the ground (yellow/green core) to 50mm,
 - shorten the blue-neutral core to 30mm
 - strip the cores 7mm (it is recommended, but not necessary, to prepare the conductors with end-terminals)
- 2.3. L2: cable to be connected to "line Out 2" (if needed, to be connected to a second fixture / device or to create the derivation line):**
 - unsheath 65mm,
 - shorten the ground (yellow/green core) to 50mm,
 - shorten the brown-phase core to 30mm,
 - strip the cores 7mm (it is recommended, but not necessary, to prepare the conductors with end-terminals)

Note: during the assembling of the cables, pay attention to connect correctly all the ground inner cores into the same/corret clamp. Pay attention also to put in the correct clamp all the phase conductors (brown) and all the neutral conductors (blue).

RECOMMENDED CABLES CONNECTED TO THE DEVICE

Code	Insulation	Section
H07RN-F	neoprene + neoprene	3x 1,50 mm ²
H07RN-F	neoprene + neoprene	3x 1,00 mm ²
H07RN-F	neoprene + neoprene	2x 1,50 mm ²
H07RN-F	neoprene + neoprene	2x 1,00 mm ²
H05RN-F	neoprene + neoprene	3x 1,00 mm ²
H05RN-F	neoprene + neoprene	2x 1,00 mm ²

Note 1 :
close the screws at max 0,8Nm

3. ASSEMBLING INSTRUCTIONS

Note 2 :
close the cable-gland nuts at max 1.2 Nm strength

<p>3.1</p>	<p>3.2</p>	<p>3.3</p>
<ul style="list-style-type: none"> ● Work the cable to be connected to OUT as described in point 2.1. ● Thread on the cable-sheath a gland-nut (attention to the direction) and its rubber gland (attention to the direction, for the directions see the picture of the components list). ● Connect the inner cores to the clamps closing the 2mm hexagonal head grub-screws (connect the cable OUT into the clamp where there is only single hole). 	<ul style="list-style-type: none"> ● Put the clamps into the appropriate sits realized in the lower body of the device paying attention to pull them till the bottom. ● Arrange the cable drawing it back and pull the three cores into the lower part of the body of the device. 	<ul style="list-style-type: none"> ● Fix the three clamps with the press-gasket bridge with the two 2,5 x 16 screws for plastic. ● Put the rubber gland correctly into the threaded part of the lower body. ● Lock the cable-gland closing the nut (the cable sheath must project out in the device).
<p>3.4</p>	<p>3.5</p>	<p>3.6</p>
<ul style="list-style-type: none"> ● Work the cable to be connected to L1 as described in point 2.2. ● Thread on the cable-sheath a gland-nut (attention to the direction) and its an rubber-gland (attention to the direction) (for the direction see the picture of the components list). ● Connect the inner cores to the clamps closing the 2mm hexagonal head grub-screws paying attention to respect the different polarities. ● If needed work the cable to be connected to L2, and in this case follow the instruction described in the previous point. ● If it is not necessary to connect a cable to L2, put the "blind" rubber gland into the thread part of the body and tight the nut. 	<ul style="list-style-type: none"> ● Arrange L1 and L2 cables (L2 if needed) drawing them back and pull the conductors into the lower part of the body of the device . ● Put the rubber glands correctly into the threaded parts of the lower body. ● Lock the cable-glands closing the nuts (the cable sheath must project out in the device). 	<ul style="list-style-type: none"> ● Close the upper-cover of the device screwing turning the four thread-forming screws for plastic 3x12mm (art. 526H).

Final Note:

the correct use of this connection device is guaranteed only if all the assembling process are carried out correctly and carefully. Check also that the place of installation of the device is suitable to the used materials. Moreover, verify periodically the conditions of the rubber glands and of the closing gasket