

RL-35X-P

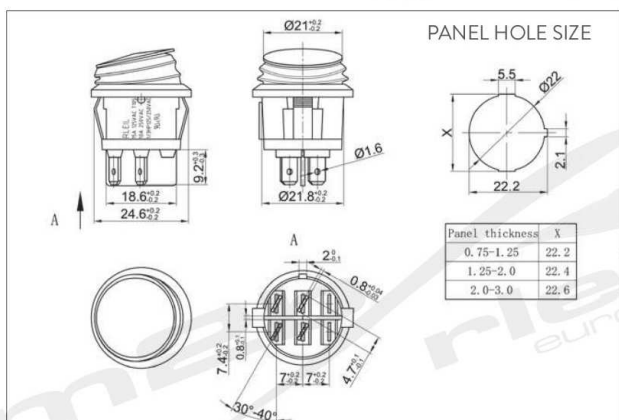
Interrupteur unipolaire, découpe Ø 22 mm

Commutation



NEW

RL-35X-P-21/N-G-2-RE/BK-P4-2



RU cRU

(G): 6 (2)A 250VAC T125/55 1E4
10A 125VAC

(H): 12 (8)A 250VAC T85/55 1E4
15A 125V/10A 250VAC 1/3HP
125-250VAC T105

RL-35X-P

RL-35X-P 21 G 2 BK/BK P4 ... (2)

Function		Rating	Cap Printing	Cap colour / Housing		Terminals	Voltage		
13	ON-OFF-ON 3T	G 10A 125 VAC 6A 250 VAC	0	None	WT	White	(P4)	1	110VAC
13(ON)	(ON)-OFF-ON 3T		1		BK	Black		2	220VAC
21	ON - OFF 4T	H 16A 125 VAC 10A 250 VAC	2		RE	Red	(P5)	3	12VDC
21/N	ON - OFF - 4T w/lamp		3		OR	Orange		4	24VDC
22	ON - ON 6T		4		GR	Green			
23	ON - OFF - ON 6T		5		BL	Blue			
23(ON)	(ON)-OFF-ON 6T		8		GE	Grey			
			X	Custom					