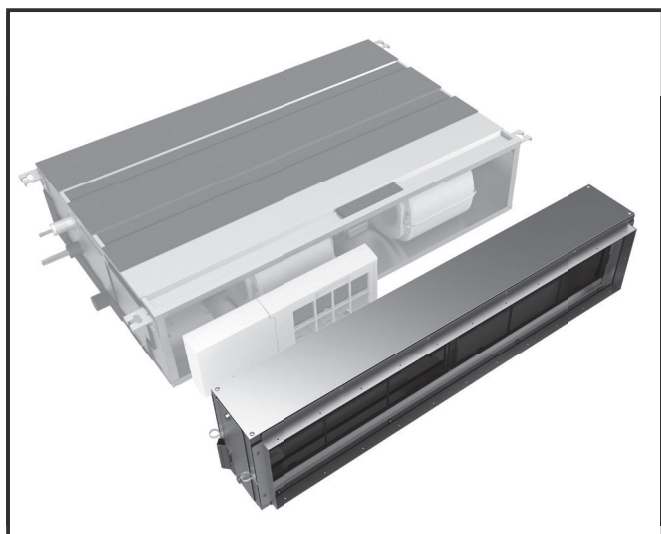


Photo



Descriptions

A filter box that connects Plasma Quad Connect to indoor unit.

※ Plasma Quad Connect should be used together with PQ attachment or PQ box.

Applicable Models

PAC-KE92PTB-E

- PEAD-M35JA2
- PEAD-M50JA2
- PEAD-M35JAL2
- PEAD-M50JAL2
- PEAD-SM35JA
- PEAD-SM50JA
- PEAD-SM35JAL
- PEAD-SM50JAL

PAC-KE94PTB-E

- PEAD-M100JA2
- PEAD-M125JA2
- PEAD-M100JAL2
- PEAD-M125JAL2
- PEAD-SM100JA
- PEAD-SM125JA
- PEAD-SM100JAL
- PEAD-SM125JAL

PAC-KE93PTB-E

- PEAD-M60JA2
- PEAD-M71JA2
- PEAD-M60JAL2
- PEAD-M71JAL2
- PEAD-SM60JA
- PEAD-SM71JA
- PEAD-SM60JAL
- PEAD-SM71JAL

PAC-KE95PTB-E

- PEAD-M140JA2
- PEAD-M140JAL2
- PEAD-SM140JA
- PEAD-SM140JAL



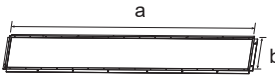
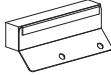

OPTIONAL
PARTS

INDOOR UNIT

How to Use / How to Install

1 Confirming the Supplied Parts

Check that the packet includes the following parts in addition to this Installation Manual.

| PARTS | SHAPE | Q'ty | Model name |
|------------------|---|------------|------------------------|
| ① SCREW (4×10) |  | 26 | PAC-KE92•93PTB-E |
| | | 32 | PAC-KE94•95PTB-E |
| ② CABLE STRAP |  | 2 | PAC-KE92•93•94•95PTB-E |
| ③ SUCTION FLANGE |  | a × b | - |
| | | 857 × 208 | 1 |
| | | 1057 × 208 | 1 |
| | | 1357 × 208 | 1 |
| ④ WIRING COVER |  | 1 | PAC-KE92•93•94•95PTB-E |
| ⑤ RUBBER PLATE |  | 2 | PAC-KE92•93•94•95PTB-E |

2 Installing the PQ attachment and PLASMA QUAD CONNECT

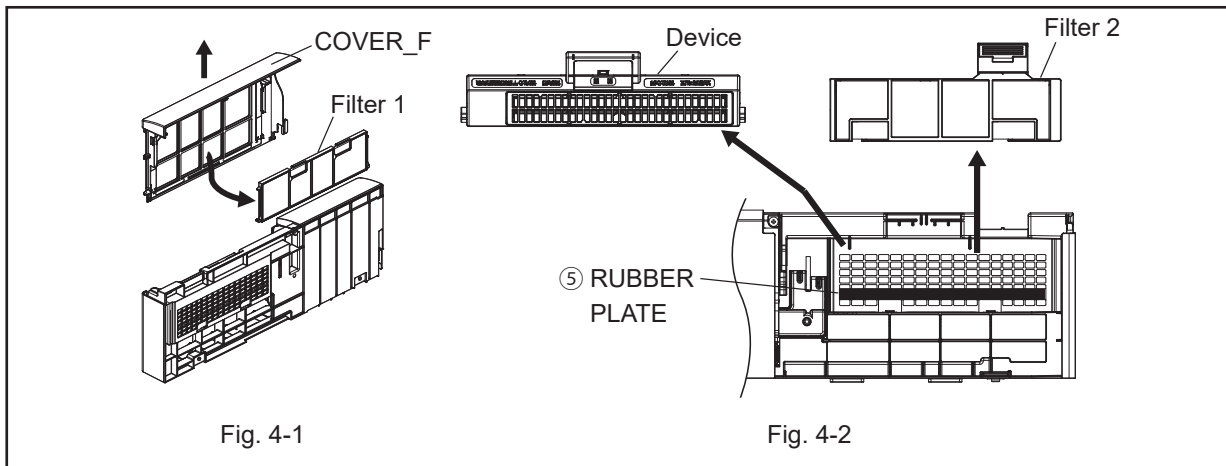
Remove the COVER_F, and then remove Filter 1 from the cover of the PLASMA QUAD CONNECT. (Fig. 4-1)
Discard Filter 1, for it is not needed for mounting the PLASMA QUAD CONNECT in the way described here. (In the case of MAC-100FT-E)

Remove the device and Filter 2, and attach a RUBBER PLATE (⑤) in the area shown in Fig. 4-2. (The other plate is a spare.)

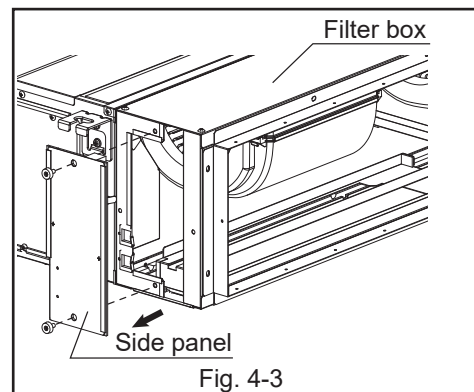
Re-place the device and Filter 2 in their original positions, and close the cover.

* Attach the RUBBER PLATE (⑤) to keep the PLASMA QUAD CONNECT from making noise when the indoor unit to which it is attached vibrates.

* For connecting the internal wiring of the PLASMA QUAD CONNECT, see steps (5) through (9) in the manual for the PLASMA QUAD CONNECT.



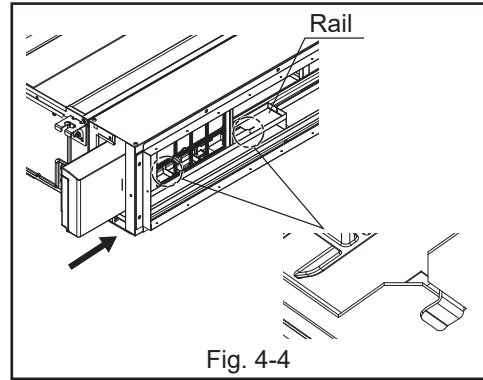
Remove the side panel from the filter box. (Fig. 4-3)



OPTIONAL PARTS

INDOOR UNIT

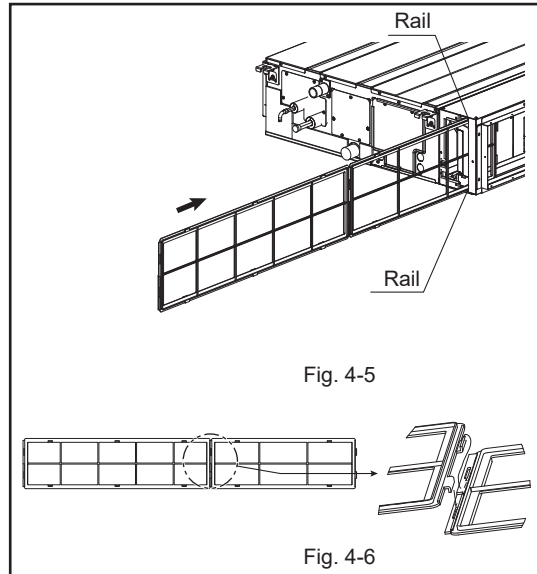
3. Mount the PLASMA QUAD CONNECT on the rails.
Hook the tabs on the PLASMA QUAD CONNECT onto the notches in the rails. (Fig. 4-4)



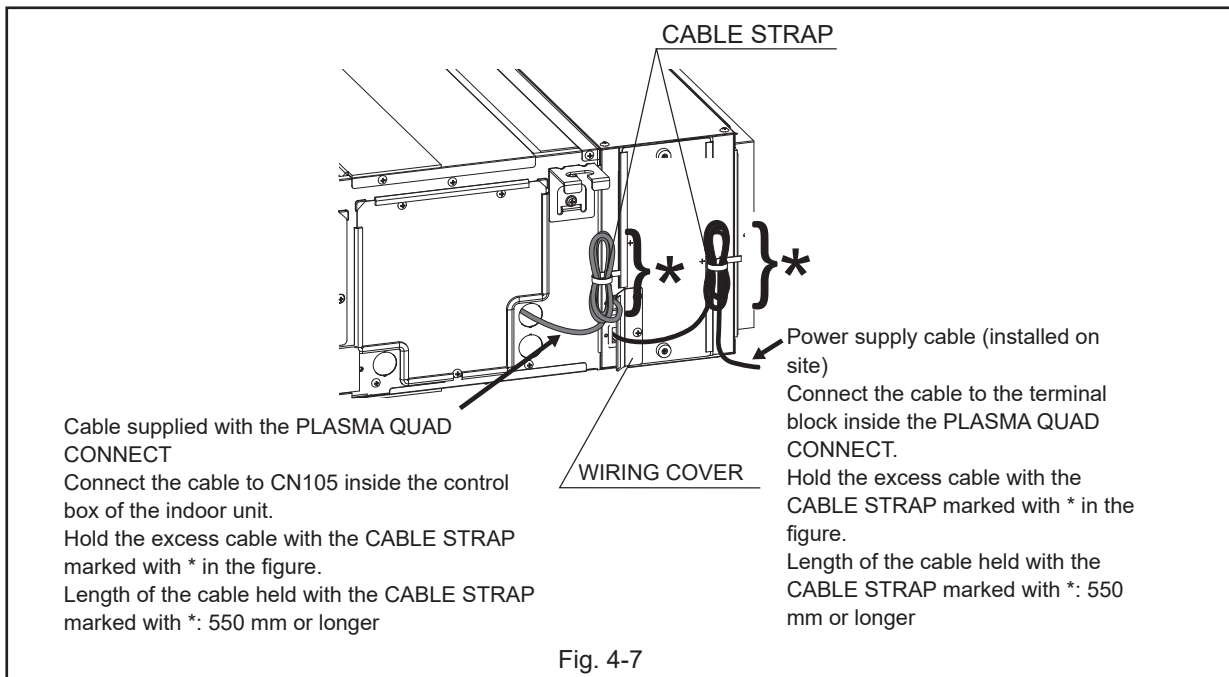
4. Insert the filter that was removed in step 3-1 above along the top and bottom rails.(Fig. 4-5)
When using the PAC-KE93, 94, or 95PTB-E, join the two filters before inserting them. (Fig. 4-6)

If the two filters are inserted without them being joined together, it will render the one in the back difficult to remove.

CAUTION
Never place your hand inside the filter box during maintenance. If the filter tabs become caught when the filter is removed for maintenance, use a long stick or similar item to remove the remaining filter.



5. Connect cables. (Fig. 4-7)
Attach the WIRING COVER with the supplied screws, and attach the CABLE STRAP.
The maintenance of the PLASMA QUAD CONNECT requires extra 550 mm or longer of the cable.
Hold the excess cable with the CABLE STRAP marked with * in the figure (including the power supply cable installed on site).
* When using another interface, hold the cables at the same locations as the cables supplied with the PLASMA QUAD CONNECT.



6. Set the external static pressure.

Attaching the PLASMA QUAD CONNECT increases the pressure loss. Adjust the external static pressure setting as necessary. For the adjustment procedure, see the Installation Manual for the indoor unit.

3 Maintenance

Turn off the power supply before starting the maintenance work.

Do not pinch the cables during the maintenance work.

Before servicing the indoor unit (suction side), remove the PLASMA QUAD CONNECT.

To service the PLASMA QUAD CONNECT, remove the PLASMA QUAD CONNECT using the reverse order of installation.

For details on the maintenance of the PLASMA QUAD CONNECT, see the manual for the PLASMA QUAD CONNECT.