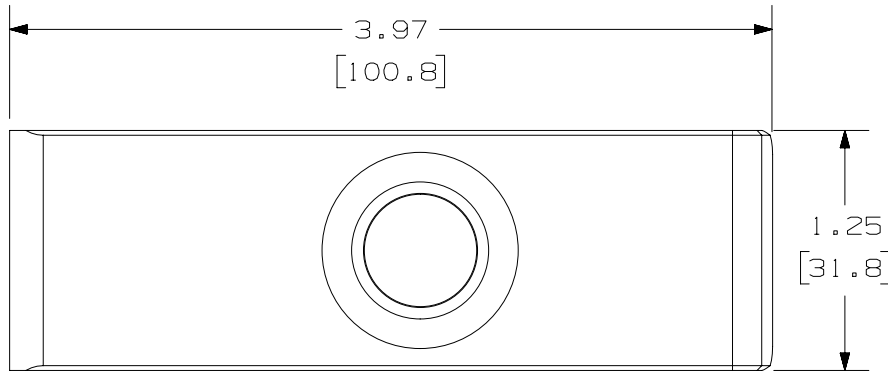
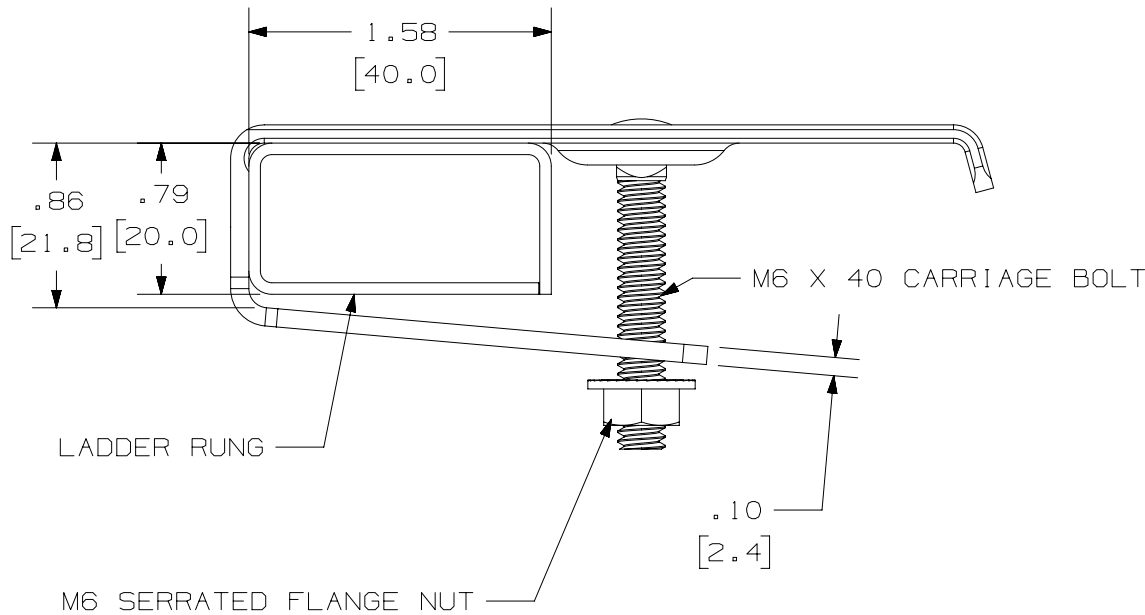


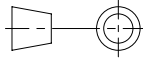
THIS COPY IS PROVIDED ON A RESTRICTED BASIS AND IS NOT TO BE USED IN ANY WAY DETRIMENTAL TO THE INTERESTS OF PANDUIT CORP.



PANDUIT P/N	MATERIAL	WEIGHT/PC
UCUC3-V316	316L STAINLESS STEEL	.28 lbs [127 g]
UCUC3-VC	GALVANIZED STEEL	.28 lbs [127 g]



- NOTES:
- DIMENSIONS IN [] ARE METRIC.
 - FOR USE WITH SQUARE OR U-CHANNEL WITH NO SLOTS.
 - LADDER RUNG DIMENSIONS ARE FOR REFERENCE.
 - EACH ASSEMBLY INCLUDES:
 - (1) BRACKET
 - (1) M6 X 40MM CARRIAGE BOLT
 - (1) M6 SERRATED FLANGE NUT

PART NUMBER		UCUC3-V316 AND UCUC3-VC		
TITLE		UNICLIP U-CHANNEL TYPE BRACKET UCUC3 STYLE		
		CUSTOMER DRAWING		
ITEM REVISION NAME		00613EAA/00		
DATASET FILE NAME		00613EAA_DC/00A		
		THIRD ANGLE PROJECTION		
MATERIAL		SEE TABLE		DRAWING NUMBER
				00613EAA_DC
REV	DATE	BY	CHK	APR
00A	02/13/20	ACC	GBI	JADE
INITIAL RELEASE				
DESCRIPTION				
076687				
ECN				
DRAWN BY	DATE	CHK	SCALE	SIZE
ACC	02/13/2020	GBI	NONE	A
SHEET 1 OF 1				

A-SIZE CUSTOMER

2

1

2

1