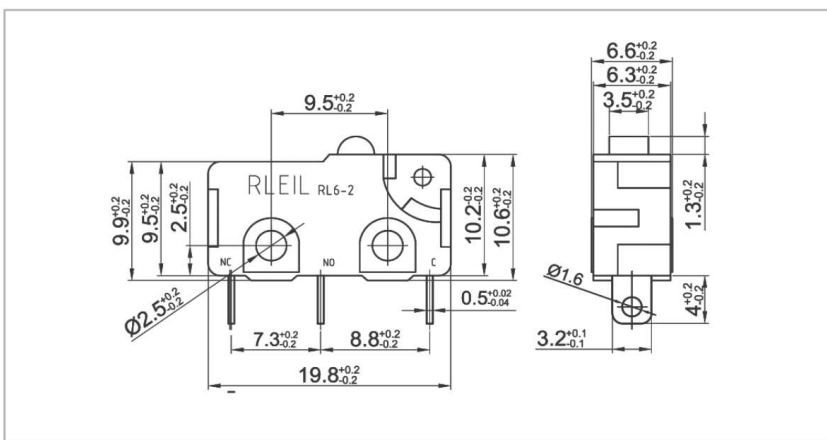




RL-62-G-D-BK-P41-0-M



(G): 6A 125/250VAC
6A 250VAC T85C 1E4

(H): 10A 125VAC
1/4HP 125V
10A 250VAC T85 1E4

RL-62 - G - D - BK - P31 - 0 - K

Rating Function Cap colour /
Housing Terminals Lever Type Operating
force

Rating		Function		Cap colour/Housing		Terminals		Lever type		Operating Force	
G	6A 125/250VAC	D	(ON) - OFF 2T	WT	White	[P31]	[P41]	0	None	K	60 ± 15 gt
	6A 250VAC	E	ON - (OFF) 2T	BK	Black			1			
H	10A 125VAC	F	(ON) - ON 3T	GE	Grey	[PCB]	[PCB(2)]	2		M	150 ± 30 gt
	10A 250VAC							3			

