

#### Dual Hinge Door (Bracket Installation)

- VIEW 1 Install Top Hinge Bracket on cabinet frame (install hinge screw and hinge pin, if necessary) - [2] PLACES
- VIEW 2 Install Lift Pin Bracket and Lift Pin Wear Plate on cabinet frame
- VIEW 3 Install Bottom Hinge Bracket, Bottom Hinge Pin Screw, Bottom Hinge Pin Locknut, and Bottom Hinge Pin on cabinet frame - [2] PLACES

[2] M4 Flat Head Screws  
(use 2.5mm Allen Key)

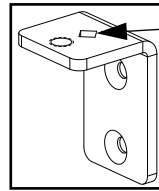
-or-

[2] M5 Flat Head Screws  
(use T25 Torx)

Top Hinge Bracket  
(with M4 clearance holes)

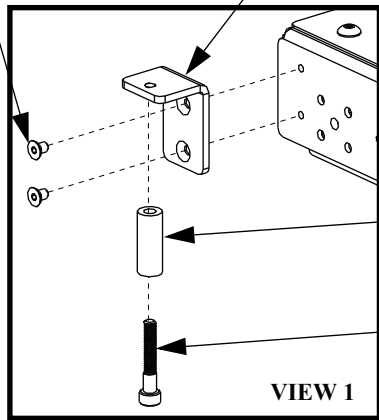
-or-

Top Hinge Bracket  
(with M5 clearance holes)



Diamond shaped  
punch out.

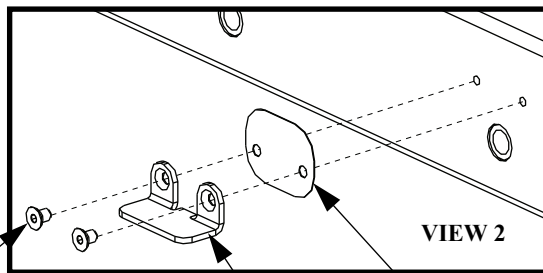
M4 Top Hinge Bracket  
identified by a diamond  
shaped punch out.



Hinge Pin

M5 Hinge Screw  
(use 4mm Allen Key)

VIEW 1



VIEW 2

[2] M4 Flat Head Screws  
(use 2.5mm Allen Key)

Lift Pin  
Bracket

Lift Pin  
Wear Plate

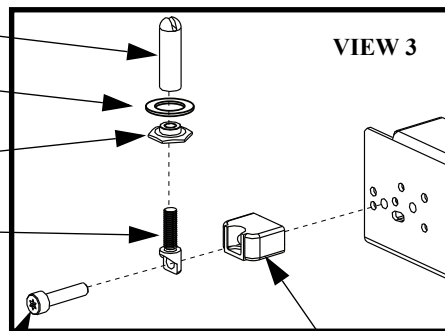
Bottom Hinge  
Pin

Plastic Washer

Bottom Hinge  
Pin Locknut

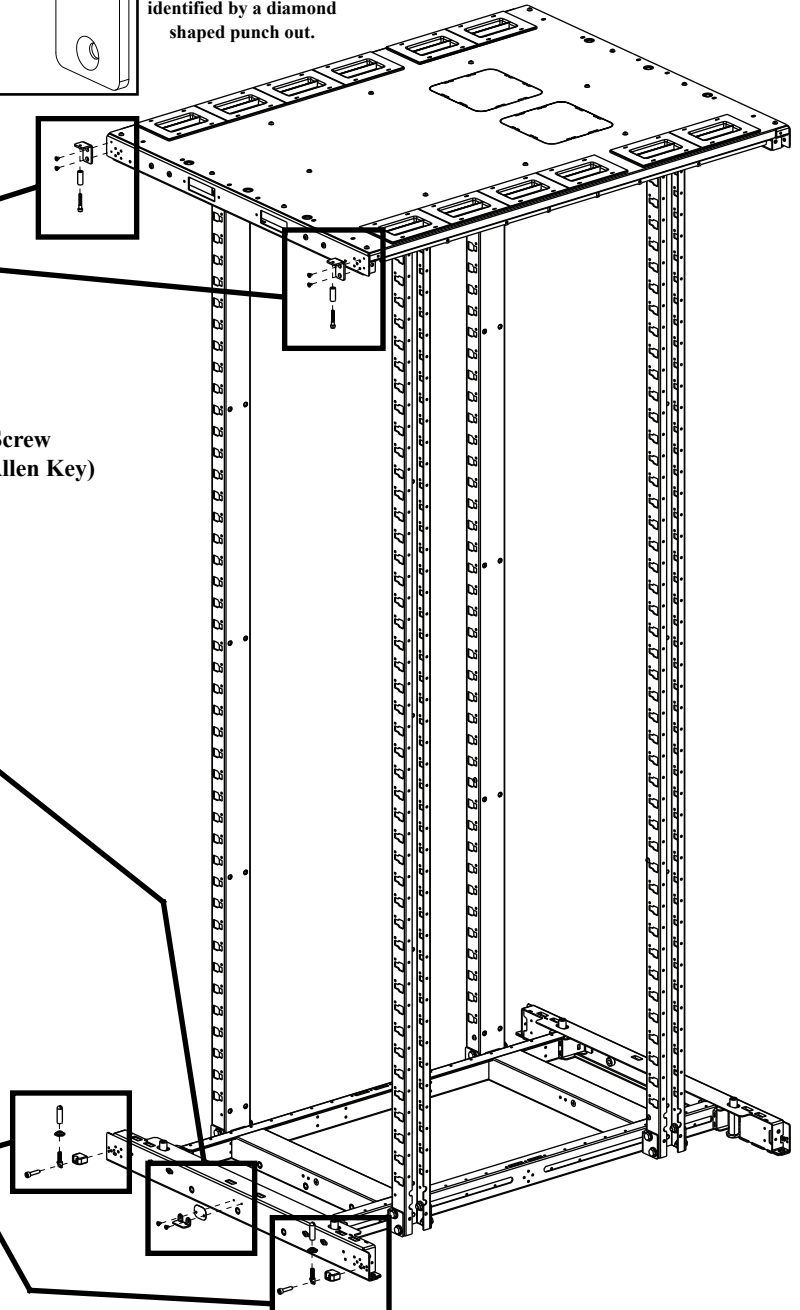
Bottom Hinge  
Pin Screw

M6 Torx Screw  
(use T30 Torx bit)



VIEW 3

Bottom Hinge Bracket

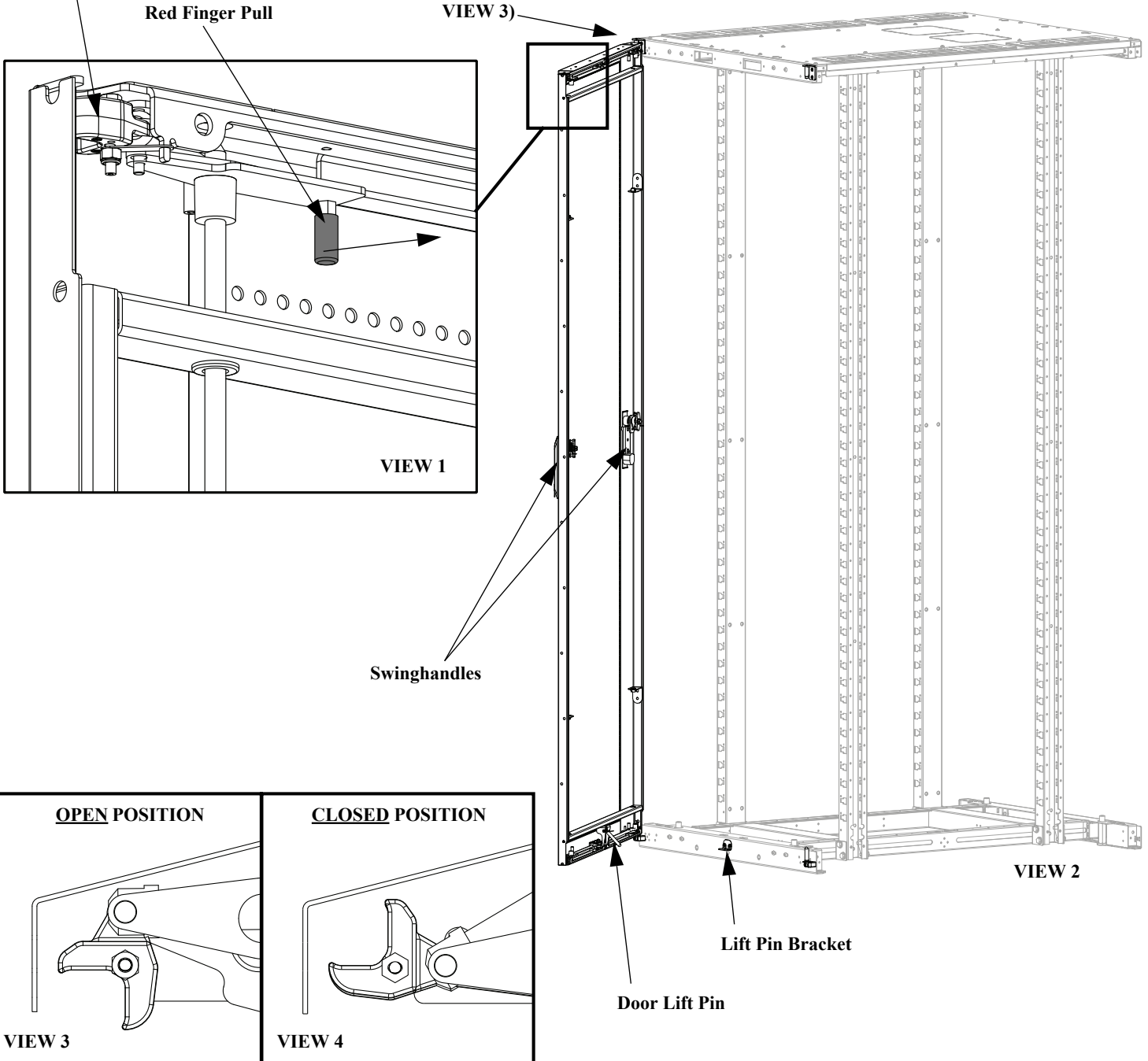


**Dual Hinge Door (Installation)**

- Open both swing handles
- **VIEW 1** Ensure one top latch is **OPEN** (VIEW 3) and the other is **CLOSED** (VIEW 4; pull red finger handle to toggle latches)
- Lift door (with **CLOSED** bottom latch) onto bottom hinge pin
- **VIEW 2** *While supporting weight of door*, align **OPEN** top latch with cabinet and push door against cabinet until latched
- **VIEW 1** Pull red finger handle to toggle top latch of **open side** to **OPEN** (VIEW 3) position
- Close both swing handles
- Close door

Latch in **CLOSED** Position  
{See VIEW 4}

Push Door Towards Cabinet  
(ensure that: both swing handles are open  
and **open side** latch is toggled **OPEN**, as  
shown in  
VIEW 3)

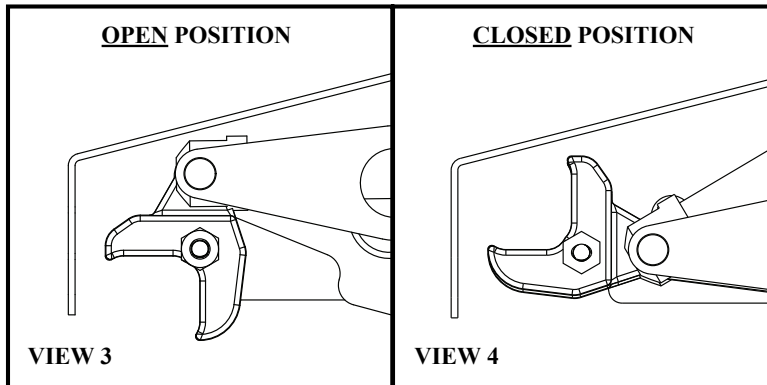
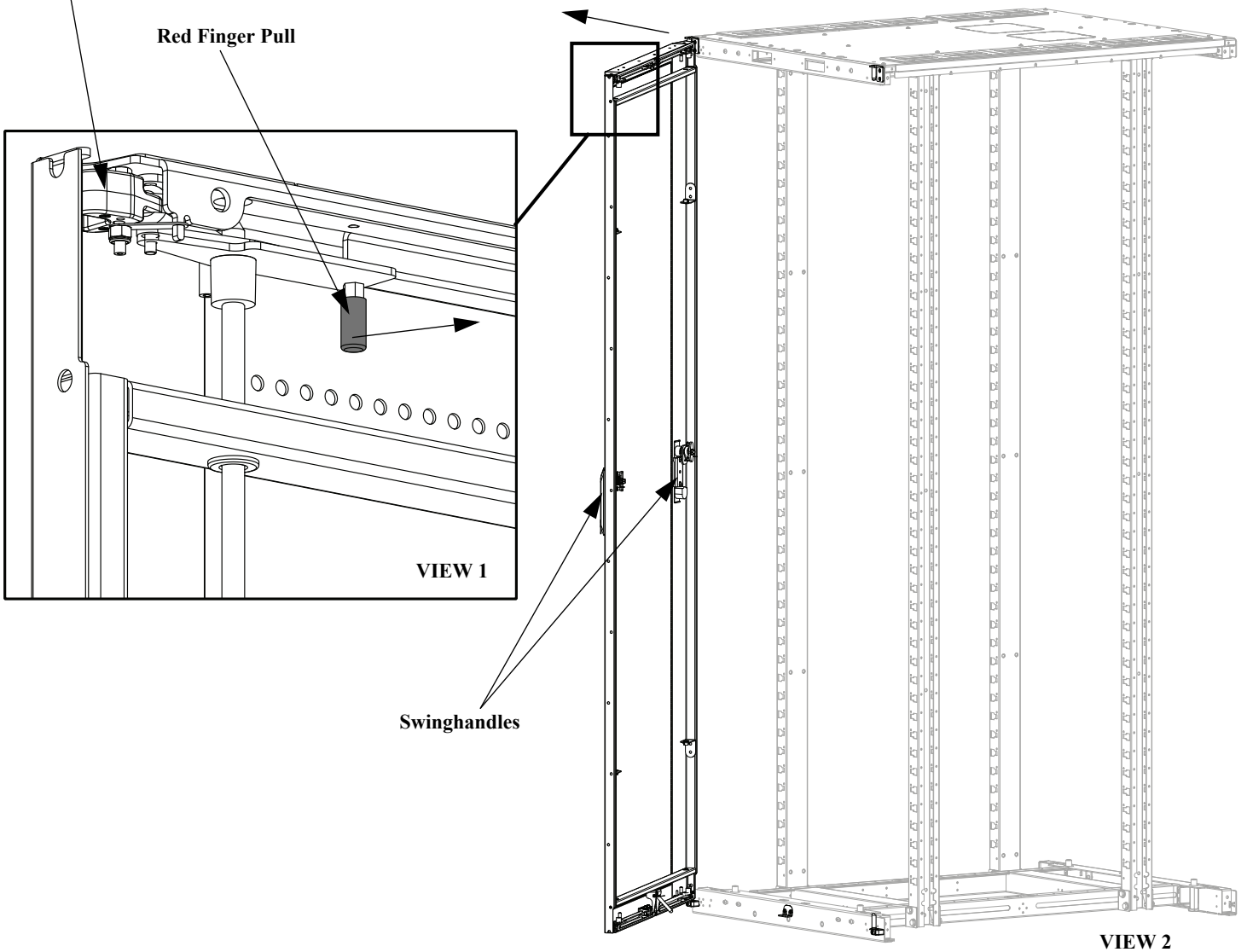


**Dual Hinge Door (Removal)**

- Open both swing handles
- **VIEW 1** *While supporting weight of door*, pull red finger handle to toggle latch of open side of door to CLOSED position (VIEW 4)
- **VIEW 2** Remove door from cabinet frame by pushing top of hinged side of door away from cabinet
- Lift door off bottom hinge pin

Latch in CLOSED Position  
{See VIEW 4}

Push Door Away From Cabinet  
(ensure that: both swing handles are open and open side latch is toggled to CLOSED position as shown in

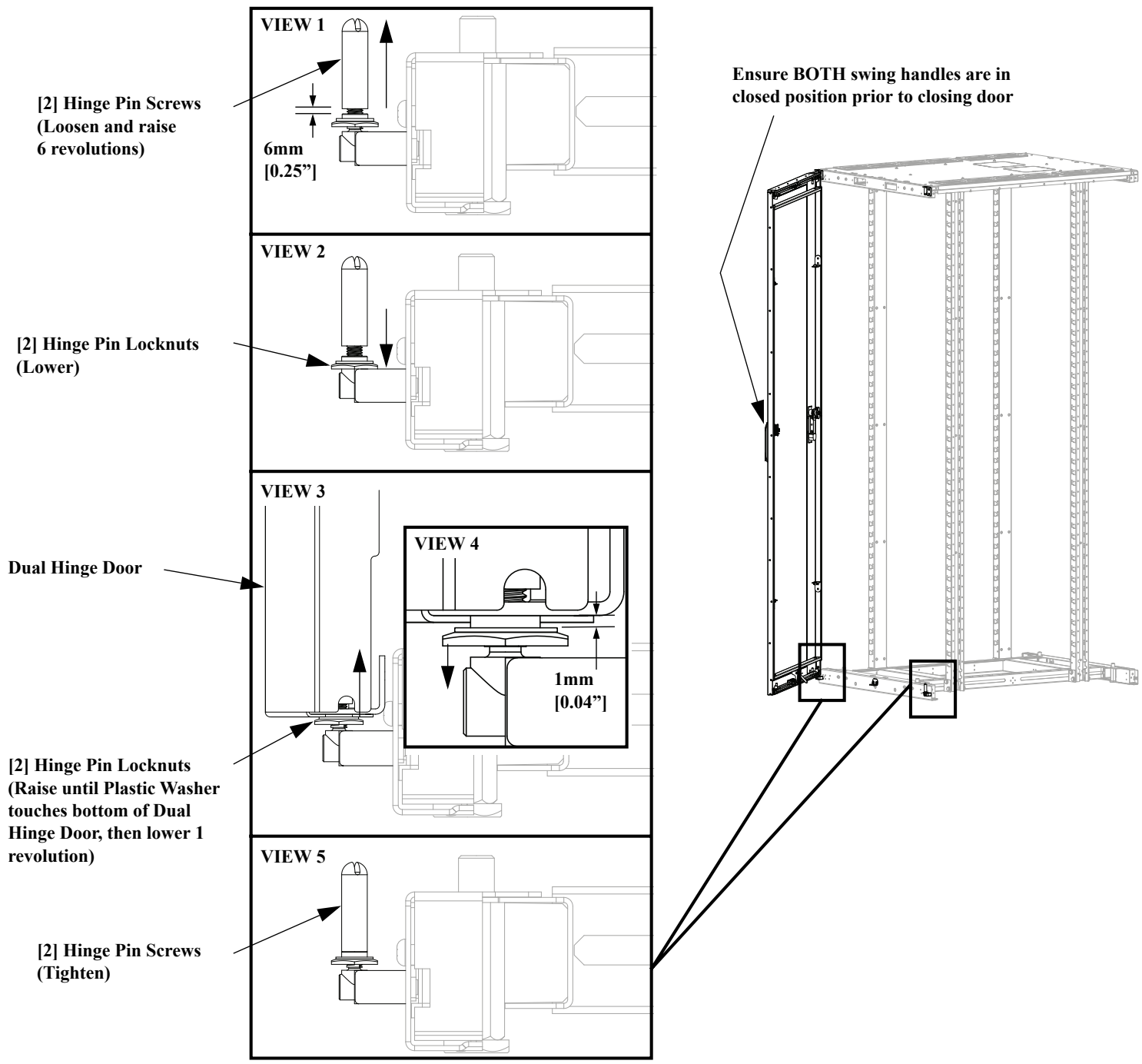


**Dual Hinge Door (Operation)**

**NOTE:** Door is push-to-close. PANDUIT recommends closing handle after opening door and simply push door when closing

**Door Function Adjustment (optimize door operation)**

- Remove Dual Hinge Door from cabinet (or open one side at a time)
- **VIEW 1** Loosen [2] Hinge Pin Screws at bottom of cabinet and raise by approximately 6 revolutions (6mm [0.25"])
- **VIEW 2** Lower [2] Hinge Pin Locknuts to bottom of Hinge Pin Post Screw (if nut is not lowered; factory setting of nut is fully-lowered)
- Reinstall Dual Hinge Door (see page 2)
- **VIEW 3, VIEW 4** Raise [2] Hinge Pin Locknuts until Plastic Washers touch bottom of Dual Hinge Door, then lower locknut 1 revolution
- **VIEW 5** Open each side of Dual Hinge Door and tighten [2] Hinge Pin Screws
- Close Dual Hinge Door
- If Dual Hinge Door interferes with Hinge Pin Locknut or Plastic Washer, lower locknut until there is no interference



For Instructions in Local Languages and Technical Support:

[www.panduit.com/resources/install\\_maintain.asp](http://www.panduit.com/resources/install_maintain.asp)



[www.panduit.com](http://www.panduit.com)

E-mail: [techsupport@panduit.com](mailto:techsupport@panduit.com)

Phone: 866-405-6654