



Product designation

Adjustable roller  
lever

Product type designation

KBF

**General characteristics**

Material

Housing  
Roller

Polymer  
thermoplastic  
Plastic

**Contact characteristics**

Type of contact		2NC Independent
Thermal current I <sub>th</sub>	A	10
IEC/EN 60947-5-1 designation		A600 Q300
Rated insulation voltage U <sub>i</sub>	V	690
Rated impulse withstand voltage U <sub>imp</sub>	kV	6
Insulation class		II
Short-circuit protection with fuse	Class/A	10 gG/SC QUICK FUSE
Switching speed	min max	m/s 0.5 1.5
IEC Conventional free air thermal current I <sub>th</sub>	A	10
Resistance per pole (average value)	mΩ	<10

**Mechanical features**

Operating head fixing

Locking bayonet  
insert

Operating torque

Ncm  
ozin 3  
4.25

Tightening torque (Max)

Switch fixing

Nm  
lbin 2.5  
22.1

Contact terminals

Nm  
lbin 0.8  
7

Body lid screw fixing

Nm  
lbin 0.8  
7

Conductor section

AWG/Kcmil

min  
max 16  
14

IEC

min  
max mm<sup>2</sup>  
mm<sup>2</sup> 1or 2  
2.5

Cable connection	Self-releasing screw terminal
Cable entry	M20 on the bottom

**Operations**

Mechanical life	cycles	<10000000
Mechanical operation	cycles/h	3600

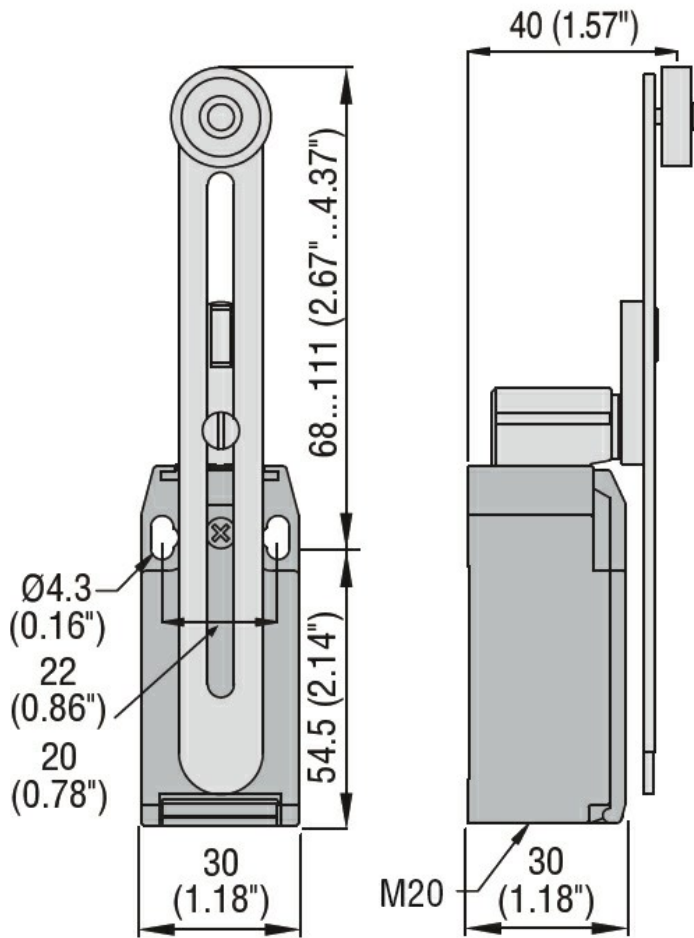
**Ambient conditions**

Temperature	Operating temperature	min	°C	-25
		max	°C	+70
	Storage temperature	min	°C	-40
		max	°C	+70

**Resistance & Protection**

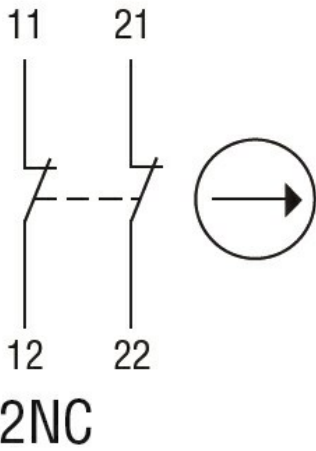
IP degree	Terminals	IP20
	Body housing	IP65
Pollution degree		3

**Dimensions**



**Wiring diagrams**

## Snap action



### Certifications and compliance

#### Compliance

CSA C22.2 n° 14  
EN 50047  
IEC/EN 60204-1  
IEC/EN 60947-1  
IEC/EN 60947-5-1  
UL508

#### Certificates

CCC  
cULus  
EAC

### ETIM classification

ETIM 8.0

EC000030 - End  
switch