

Part number

# CX 4.0 PF



Female pneumatic contact, without closing valve, for tubes with internal diameter 4 mm

#### Product description

<b>Product type</b>	Pneumatic contact
<b>Gender</b>	Female
<b>Specification</b>	Without closing valve For tubes with internal diameter 4 mm

#### Further technical details

<b>Weight</b>	0,41 g
<b>Operating temperature range (min, max)</b>	-40°C ... +125°C

#### Material properties

<b>Main material</b>	Polyamide (PA)
<b>RoHS conformity</b>	Compliant
<b>China RoHS - EFUP</b>	E
<b>REACH SVHC substances</b>	No

#### General ordering information

<b>EAN13 code</b>	8015747042147
<b>eCl@ss 8.1</b>	27440204
<b>ETIM 7.0</b>	EC000796

#### Packaging Information

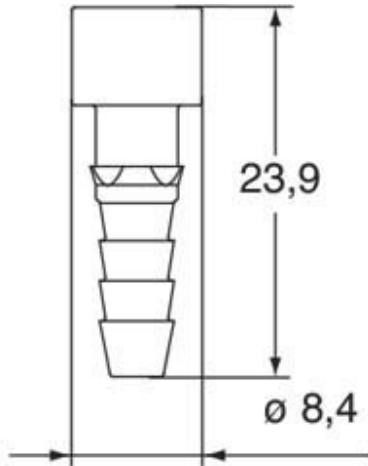
<b>Sub-packaging length</b>	50,00 mm
<b>Sub-packaging height</b>	44,00 mm
<b>Sub-packaging width</b>	50,00 mm
<b>Sub-packaging volume</b>	0,11 dm <sup>3</sup>
<b>Sub-packaging description</b>	Plastic box
<b>Sub-packaging quantity</b>	12 Pcs
<b>Sub-packaging EAN barcode</b>	8015747042154

Part number

# CX 4.0 PF



## Catalogue drawings



## Notes

Dimensions shown in mm are not binding and may be changed without notice.