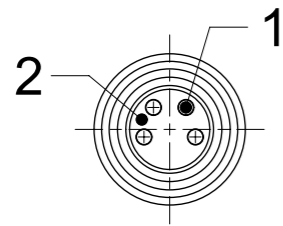


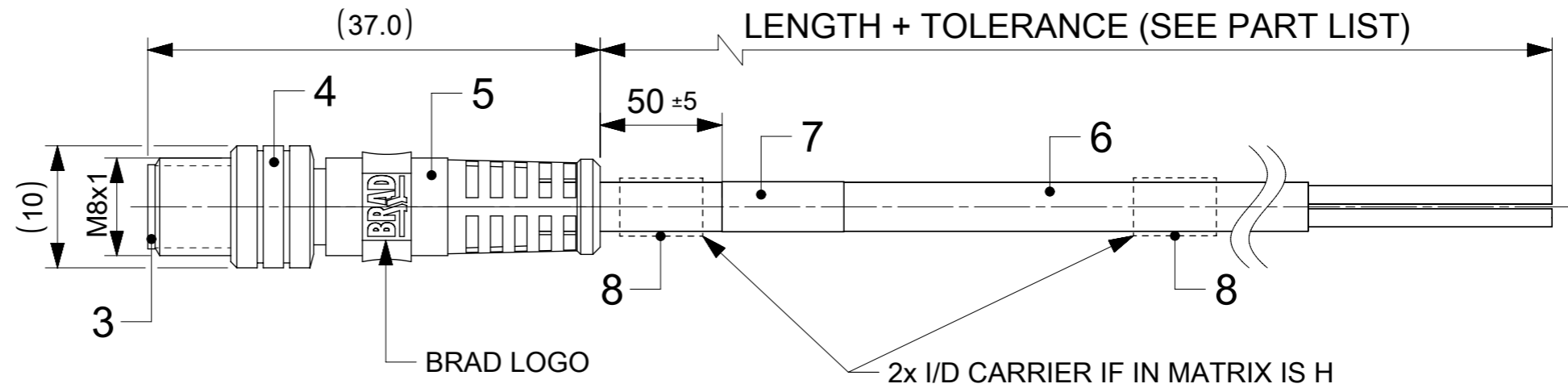
# MALE PLUG M8 STRAIGHT SINGLE ENDED

## CONTACT POSITION FRONT VIEW:

3 POLES MALE		4 POLES MALE		5 POLES MALE	
PIN	WIRE	PIN	WIRE	PIN	WIRE
1	BROWN	1	BROWN	1	BROWN
2	-	2	WHITE	2	WHITE
3	BLUE	3	BLUE	3	BLUE
4	BLACK	4	BLACK	4	BLACK
5	-	5	-	5	GREY



VIEW FROM THE FRONT SIDE



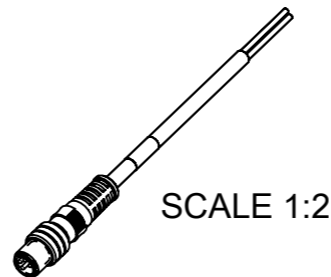
### TECHNICAL SPECIFICATION:

CONTACT CURRENT RATING: 3-5 POLES 3 A  
 VOLTAGE RATING: 3 POLES 60 V  
 4-5 POLES 30 V  
 PROTECTION CLASS: IP 67  
 TEMPERATURE RANGE: -25° C / +80° C

### BILL OF MATERIAL

ITEM	QTY.	DESCRIPTION	MATERIAL	FINISH / COLOR
8	0 / 2	ID CARRIER (SEE MATRIX)	PVC	TRANSPARENT
7	1	LABEL OR PRINTING	VINYL / ---	---
6	-	CABLE	SEE MATRIX	---
5	-	OVERMOULDING	TPU	BLACK
4	1	COUPLING NUT M8 MALE	BRASS	NICKEL
3	1	SLEEVE	BRASS	NICKEL
2	1	INSERT MALE	TPU	BLACK
1	3 / 4 / 5	CONTACT M8 MALE	BRASS	SELECTIVE Au OVER Ni
ITEM	QTY.	DESCRIPTION	MATERIAL	FINISH / COLOR

DOCUMENT STATUS	P1	RELEASE DATE	2021/11/25	12:27:14
-----------------	----	--------------	------------	----------



SCALE 1:2

FUNCTIONAL SYMBOLS	THIS DRAWING CONTAINS INFORMATION THAT IS PROPRIETARY TO MOLEX ELECTRONIC TECHNOLOGIES, LLC AND SHOULD NOT BE USED WITHOUT WRITTEN PERMISSION	CURRENT REV DESC: FIRST RELEASE			
	DIMENSION UNITS: <b>mm</b> SCALE: <b>2:1</b> GENERAL TOLERANCES (UNLESS SPECIFIED) ANGULAR TOL ± 1.0° 4 PLACES ± 3 PLACES ± 2 PLACES ± 0.05 1 PLACE ± 0.3 0 PLACES ± 0.5	EC NO: 686590 DRWN: RSCHIEBER CHK'D: RSILLER APPR: RSILLER 2021/11/23 2021/11/25			
DIVISIONAL SYMBOLS	DRAFT WHERE APPLICABLE MUST REMAIN WITHIN DIMENSIONS THIRD ANGLE PROJECTION		DRAWING: <b>A3-SIZE</b> SERIES: <b>120086</b> MATERIAL NUMBER: <b>SEE PART LIST</b> CUSTOMER: <b>GENERAL MARKET</b>		PRODUCT CUSTOMER DRAWING DOCUMENT NUMBER: <b>1200860183</b> DOC TYPE: <b>PSD</b> DOC PART: <b>000</b> REVISION: <b>A</b>
	SHEET NUMBER: <b>1 OF 3</b>		DATE: 2020/11/11		

ENGINEERING NO. - NUMERICAL CODE (Available parts see PART LIST table. Others on request)



40 = M8x1 SINGLE ENDED  
 POLES:  
 3 = 3 POLE  
 4 = 4 POLE  
 5 = 5 POLE  
 HEADER  
 006 = MALE STRAIGHT  
 CABLE TYPE  
 SEE CABLE SPECIFICATION  
 UNIT  
 M = METER  
 LENGTH EXAMPLE  
 010 = 1 m  
 050 = 5 m  
 100 = 10 m  
 OPTIONS  
 \* \*  
 Overmold color:  
 Blank (Standard)=Black  
 A = Grey / G=Black / Y=Yellow  
 For cables K03, K05, A09, S19, S20 & S26 = Yellow  
 Coupling Nut:  
 Blank (Standard)=Knurled Brass Ni Plated  
 1 = Stainless steel  
 2 = Nylon  
 3 = Nickel Plated Brass  
 4 = Valox (polyester)  
 5 = Delrin  
 6 = clear anodized alum  
 7 = Teflon coat  
 Blank = 7 for cables: I20, I26, K03, K05, P82, S20 i S26  
 8 = Type 316 stainless steel  
 9 = Knurled / Hexagonal SW9 Brass Ni Plated  
 H= 2 pcs. of I/D Carrier PVC Transparent  
 (Cables lxx & P82 always with 2 pcs. of I/D Carrier even if no H in Engineering No.)

CABLE SPECIFICATION

CABLE TYPE	NO. OF WIRES	CROSS SECTION	CABLE JACKET	UL	CSA	TEMP. RATING	STATIC: TEMP. / BENDING RADIUS	DYNAMIC: TEMP. / BENDING RADIUS	DRAG CHAIN	SHIELD
A10	4	0.25mm <sup>2</sup>	PVC YELLOW	UL 2661/1731	I/II A/B 105°C/300V	105°C	-	-	-	NO
E02	3 / 4 / 5	0.25mm <sup>2</sup>	PVC BLACK	UL 2464/1729	C22.2 I/II A/B 80°C/300V	-	-30°C to +80°C, 10xO.D.	-10°C to +80°C, 15xO.D.	-	NO
H08	3 / 4 / 5	0.25mm <sup>2</sup>	PUR BLACK LS0H	UL 21198/10493	C22.2 I/II A/B 80°C/300V	-	-40°C to +80°C, 5xO.D.	-25°C to +80°C, 10xO.D.	2 000 000 cycles, Temp max 60°C	NO
I12	3	0.50mm <sup>2</sup>	PVC GREY	-	-	-	-25°C to +70°C, 10xO.D.	-5°C to +70°C, 15xO.D.	-	NO
I02	3 / 4	0.25mm <sup>2</sup>	PVC (CEI) GREY	-	-	-	-30°C to +70°C	-5°C to +70°C	-	NO
K05	3	0.34mm <sup>2</sup>	TPE YELLOW	UL ITC OR PLTC	I/II A/B 90°C/300V	105°C	-	-	-	NO
P02	3 / 4 / 5	0.25mm <sup>2</sup>	PUR / PVC BLACK	-	-	-	-30°C to +80°C, 7xO.D.	-5°C to +80°C, 15xO.D.	-	NO
I70	3	0.50mm <sup>2</sup>	PVC GREY	-	-	-	-25°C to +70°C, 10xO.D.	-5°C to +70°C, 15xO.D.	-	NO

FUNCTIONAL SYMBOLS FA = 0 FE = 0 FE = 0	THIS DRAWING CONTAINS INFORMATION THAT IS PROPRIETARY TO MOLEX ELECTRONIC TECHNOLOGIES, LLC AND SHOULD NOT BE USED WITHOUT WRITTEN PERMISSION	CURRENT REV DESC: FIRST RELEASE		<b>molex</b>			
	GENERAL TOLERANCES (UNLESS SPECIFIED) ANGULAR TOL ± 1.0°	SCALE: 1:1	EC NO: 686590				CSE M8 XP AC MA STR XM SE
DIVISIONAL SYMBOLS	4 PLACES ±	DRWN: RSCHIEBER	2021/11/23	PRODUCT CUSTOMER DRAWING			
	3 PLACES ±	CHK'D: RSILLER	2021/11/25	INITIAL REVISION:			
	2 PLACES ± 0.05	APPR: RSILLER	2021/11/25	DOCUMENT NUMBER	DOC TYPE	DOC PART	REVISION
	1 PLACE ± 0.3	DRWN: RSCHIEBER	2021/11/23	1200860183	PSD	000	A
0 PLACES ± 0.5	APPR: RSILLER	2021/11/25	MATERIAL NUMBER			CUSTOMER	SHEET NUMBER
DRAFT WHERE APPLICABLE MUST REMAIN WITHIN DIMENSIONS	THIRD ANGLE PROJECTION	DRAWING	SERIES	SEE PART LIST	GENERAL MARKET	2 OF 3	

PART LIST

ITEM	MOLEX PN	ENGINEERING NO	L+TOL.[mm]
1	1200270105	403006E02M050	5000+60
2	1200270364	403006E02M010	1000+40
3	1200270376	404006E02M050	5000+60
4	1200270453	403006P02M040	4000+60
5	1200270459	403006E02M003	300+40
6	1200270547	403006I12M010	1000+40
7	1200270588	405006P02M005	500+40
8	1200270657	405006P02M050	5000+60
9	1200270659	403006I12M006	600+40
10	1200270752	405006P02M020	2000+60
11	1200270877	405006P02C550	550+40
12	1200270911	403006P02M020	2000+60
13	1200270933	403006P02M100	10000+80
14	1200271079	403006P02M010	1000+40
15	1200271179	403006P02M004	400+40
16	1200271200	403006P02M006	600+40
17	1200271327	403006P02M005	500+40
18	1200271332	403006P02M003	300+40
19	1200271420	403006E02M035	3500+60
20	1200271421	403006E02M040	4000+60
21	1200271422	403006E02M060	6000+80
22	1200860183	404006A10M020	2000+60
23	1200860474	403006P02M050	5000+60
24	1200860586	405006P02M040	4000+60
25	1200860588	405006P02M100	10000+80
26	1200868031	405006P02M030	3000+60
27	1200868047	403006I12C550	550+40
28	1200868056	403006E02M006	600+40
29	1200868078	403006H08M050	5000+60
30	1200868087	405006P02M010	1000+40
31	1200868152	405006E02M010	1000+40
32	1200868161	404006E02M010	1000+40
33	1200868164	405006E02M300	30000+160
34	1200868165	405006E02M500	50000+500
35	1200868166	405006E02M600	60000+600
36	1200868173	405006E02M020	2000+40
37	1200868855	405006H08M100	10000+80
38	1200868900	404006H08M005	500+40
39	1200868854	405006H08M050	5000+60
40	1200868695	403006E02M020H	2000+60

ITEM	MOLEX PN	ENGINEERING NO	L+TOL.[mm]
41	1200868174	405006E02M050	5000+60
42	1200868175	405006E02M100	10000+80
43	1200868182	405006P02M012	1200+60
44	1200868227	404006H08M050	5000+60
45	1200868228	403006E02M020	2000+60
46	1200868302	403006E02M002	200+40
47	1200868303	403006E02M015	1500+60
48	1200868304	403006E02M025	25000+60
49	1200868305	403006E02M030	3000+60
50	1200868306	403006E02M045	45000+60
51	1200868307	403006E02M100	10000+80
52	1200868308	403006I02C350	350+40
53	1200868309	403006I02C450	450+40
54	1200868310	403006I02M003	300+40
55	1200868311	403006I02M004	400+40
56	1200868312	403006I02M006	600+40
57	1200868313	403006I02M007	700+40
58	1200868314	403006I02M010	1000+40
59	1200868315	403006I02M011	1100+60
60	1200868316	403006I02M014	1400+60
61	1200868317	403006I02M015	1500+60
62	1200868318	403006I02M020	2000+60
63	1200868319	403006I02M030	3000+60
64	1200868320	403006I02M050	5000+60
65	1200868321	403006I02M100	10000+80
66	1200868322	403006I02M150	15000+140
67	1200868366	404006E02C550	550+40
68	1200868367	404006E02M015	1500+60
69	1200868368	404006E02M020	2000+60
70	1200868369	404006E02M100	10000+80
71	1200868370	404006I02M003	300+40
72	1200868371	404006P02M004G	400+40
73	1200868372	404006P02M010	1000+40
74	1200868373	404006P02M020	2000+40
75	1200868374	404006P02M030G	3000+40
76	1200868375	404006P02M050	5000+60
77	1200868720	403006E02M100H	10000+80
78	1200868755	405006P02C180	180+40
79	1200868853	405006H08M010	1000+40
80	1200868684	403006E02M045H	4500+60

ITEM	MOLEX PN	ENGINEERING NO	L+TOL.[mm]
81	1200868376	404006P02M050G	5000+60
82	1200868377	404006P02M100	10000+80
83	1200868387	403006E02M150	15000+140
84	1200868390	403006H08M020	2000+60
85	1200868392	404006H08M020	2000+60
86	1200868397	405006H08M020	2000+60
87	1200868408	404006H08M003	300+40
88	1200868409	404006H08M010	1000+40
89	1200868421	403006I12M150	15000+140
90	1200868425	403006I12M050	5000+60
91	1200868426	403006I12M100	10000+80
92	1200868433	403006H08M100	10000+80
93	1200868436	403006I70M150	15000+140
94	1200868437	403006I70M050	5000+60
95	1200868438	403006I70M100	10000+80
96	1200868471	403006E02M020Y	2000+60
97	1200868472	403006E02M150Y	15000+140
98	1200868488	404006H08M100	10000+80
99	1200868496	403006H08M010	1000+40
100	1200868512	405006P02C550Y	550+40
101	1200868514	403006P02M030	3000+60
102	1200868515	403006P02M075	7500+80
103	1200868562	404006P02M002	200+40
104	1200868573	405006E02M030	3000+60
105	1200868680	405006P02M020Y	2000+60
106	1200868681	403006E02M010H	1000+40
107	1200868682	403006E02M035H	3500+60
108	1200868683	403006E02M040H	4000+60

FUNCTIONAL SYMBOLS	THIS DRAWING CONTAINS INFORMATION THAT IS PROPRIETARY TO MOLEX ELECTRONIC TECHNOLOGIES, LLC AND SHOULD NOT BE USED WITHOUT WRITTEN PERMISSION	CURRENT REV DESC: FIRST RELEASE		<b>molex</b>																																						
	<table border="1"> <tr><td>FUNCTIONAL SYMBOLS</td><td>THIS DRAWING CONTAINS INFORMATION THAT IS PROPRIETARY TO MOLEX ELECTRONIC TECHNOLOGIES, LLC AND SHOULD NOT BE USED WITHOUT WRITTEN PERMISSION</td><td colspan="2">CURRENT REV DESC: FIRST RELEASE</td></tr> <tr><td>▽A = 0</td><td>DIMENSION UNITS: mm</td><td>SCALE: 1:1</td><td></td></tr> <tr><td>▽E = 0</td><td colspan="3">GENERAL TOLERANCES (UNLESS SPECIFIED)</td></tr> <tr><td>▽F = 0</td><td colspan="3">ANGULAR TOL ± 1.0°</td></tr> <tr><td></td><td>4 PLACES</td><td>±</td><td></td></tr> <tr><td></td><td>3 PLACES</td><td>±</td><td></td></tr> <tr><td></td><td>2 PLACES</td><td>± 0.05</td><td></td></tr> <tr><td></td><td>1 PLACE</td><td>± 0.3</td><td></td></tr> <tr><td></td><td>0 PLACES</td><td>± 0.5</td><td></td></tr> <tr><td></td><td colspan="3">DRAFT WHERE APPLICABLE MUST REMAIN WITHIN DIMENSIONS</td></tr> </table>	FUNCTIONAL SYMBOLS	THIS DRAWING CONTAINS INFORMATION THAT IS PROPRIETARY TO MOLEX ELECTRONIC TECHNOLOGIES, LLC AND SHOULD NOT BE USED WITHOUT WRITTEN PERMISSION		CURRENT REV DESC: FIRST RELEASE		▽A = 0	DIMENSION UNITS: mm	SCALE: 1:1		▽E = 0	GENERAL TOLERANCES (UNLESS SPECIFIED)			▽F = 0	ANGULAR TOL ± 1.0°				4 PLACES	±			3 PLACES	±			2 PLACES	± 0.05			1 PLACE	± 0.3			0 PLACES	± 0.5			DRAFT WHERE APPLICABLE MUST REMAIN WITHIN DIMENSIONS		
FUNCTIONAL SYMBOLS	THIS DRAWING CONTAINS INFORMATION THAT IS PROPRIETARY TO MOLEX ELECTRONIC TECHNOLOGIES, LLC AND SHOULD NOT BE USED WITHOUT WRITTEN PERMISSION	CURRENT REV DESC: FIRST RELEASE																																								
▽A = 0	DIMENSION UNITS: mm	SCALE: 1:1																																								
▽E = 0	GENERAL TOLERANCES (UNLESS SPECIFIED)																																									
▽F = 0	ANGULAR TOL ± 1.0°																																									
	4 PLACES	±																																								
	3 PLACES	±																																								
	2 PLACES	± 0.05																																								
	1 PLACE	± 0.3																																								
	0 PLACES	± 0.5																																								
	DRAFT WHERE APPLICABLE MUST REMAIN WITHIN DIMENSIONS																																									
DIVISIONAL SYMBOLS	DRWN: RSCHIEBER	2021/11/25	CHK'D: RSILLER	2021/11/25																																						
	APPR: RSILLER	2021/11/25	PRODUCT CUSTOMER DRAWING																																							
	INITIAL REVISION:		DOCUMENT NUMBER	DOC TYPE																																						
	DRWN: RSCHIEBER	2021/11/23	1200860183	PSD																																						
	APPR: RSILLER	2021/11/25	DOC PART	000																																						
			REVISION	A																																						
	THIRD ANGLE PROJECTION	DRAWING	SERIES	MATERIAL NUMBER																																						
		A3-SIZE	120086	SEE PART LIST																																						
			CUSTOMER	GENERAL MARKET																																						
				SHEET NUMBER																																						
				3 OF 3																																						