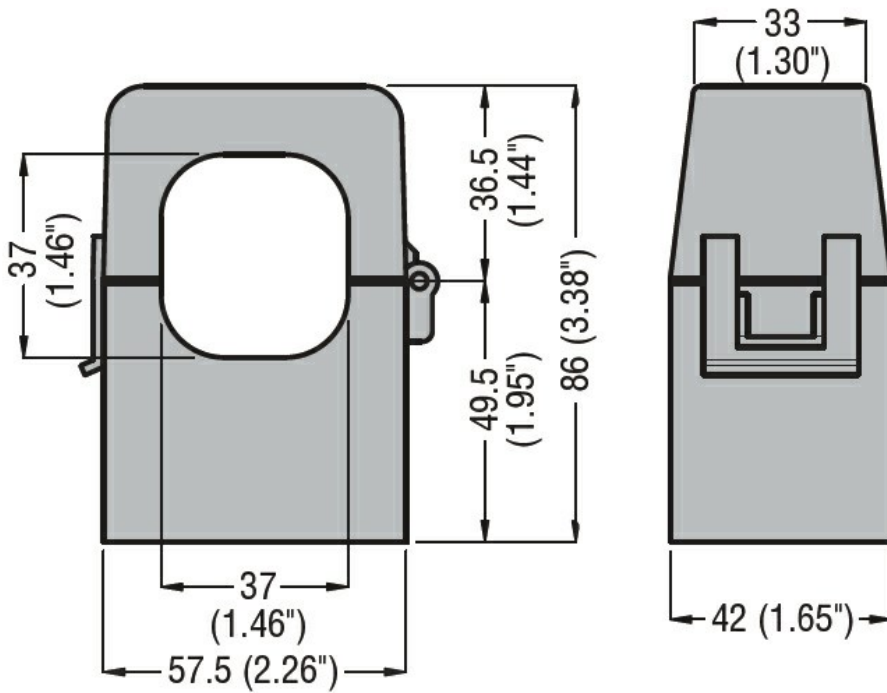




Product designation				Current transformers
Product type designation				DM2TMA0600
Auxiliary supply $U_s$				
Operational frequency		min	Hz	50
		max	Hz	60
<b>Current inputs</b>				
Primary current $I_{pn}$ (/5)			A	600
Secondary output current			A	5
Overload withstand $I_{pn}$			%	120
Burden		cl. 0.5	VA	0.5
		cl. 1	VA	1.5
<b>Insulations</b>				
Rated insulation voltage $U_i$ IEC/EN			V	720
IEC rated short-time thermal current $I_{th}$			$I_{th}$ for s	40...60
IEC rated dynamic current $I_{dyn}$			$I_{th}$ for s	2.5
Insulation dry type				Class E
<b>Mechanical features</b>				
Terminals type				2m pre-wired
Weight			g	380
<b>Ambient conditions</b>				
Temperature	Operating temperature			
		min	°C	-25
		max	°C	+50
	Storage temperature			
		min	°C	-40
		max	°C	+80
Relative humidity			%	90
<b>Dimensions</b>				



### Certifications and compliance

#### Compliance

IEC/EN/BS 61869-1

IEC/EN/BS 61869-2

#### Certificates

EAC

### ETIM classification

ETIM 8.0

EC002048 -  
 Current  
 transformer