



Product designation

Direct-on-line
starter

Product type designation

M0P00912...33

Electrical features

Relay adj range	A	2-3.3
-----------------	---	-------

IEC technical characteristics ($\leq 440V$)

I_e	A	3.3
kW	kW	1.1

Components

Starter enclosure standard supplied	M0PA
-------------------------------------	------

Contactors standard supplied	BG0910A
------------------------------	---------

Thermal relay standard supplied	RF933
---------------------------------	-------

UL technical data

Maximum UL/CSA horsepower ratings single-phase

220V-240V	HP	0.25
-----------	----	------

Maximum UL/CSA horsepower ratings three-phase, 3-pole

200V-208V	HP	0.75
220V-240V	HP	1.5
440V-480V	HP	1.5
550V-600V	HP	2

Mechanical features

Weight	g	760
--------	---	-----

Ambient conditions

Operating temperature

min	°C	-25
max	°C	+60

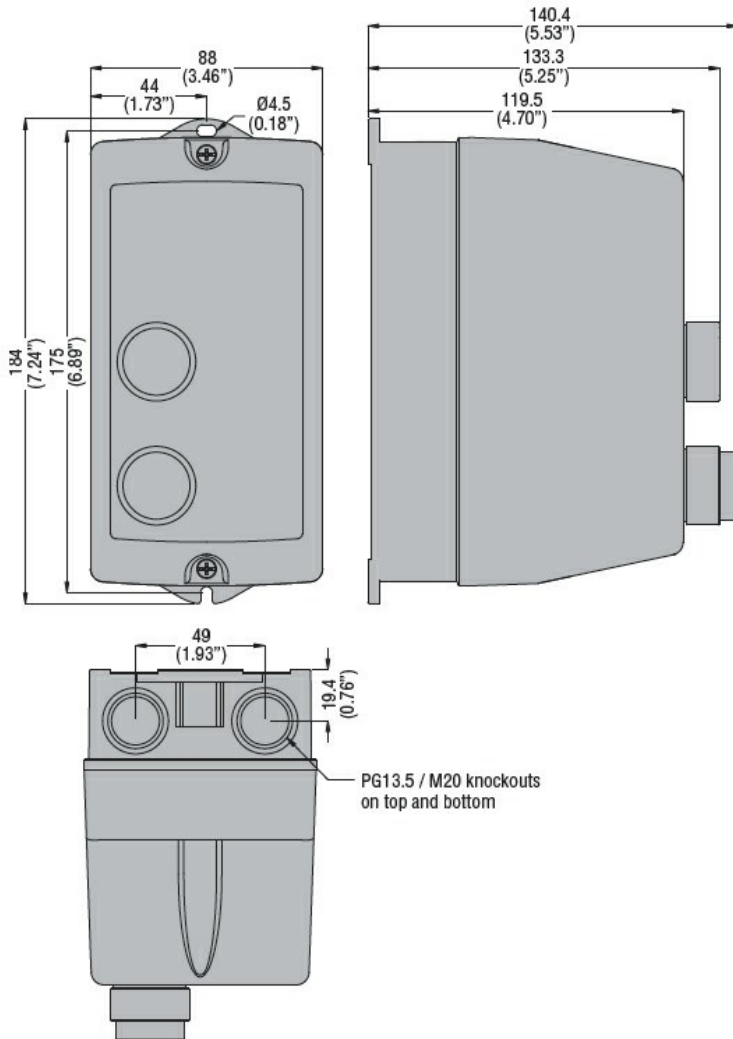
Storage temperature

min	°C	-40
max	°C	+70

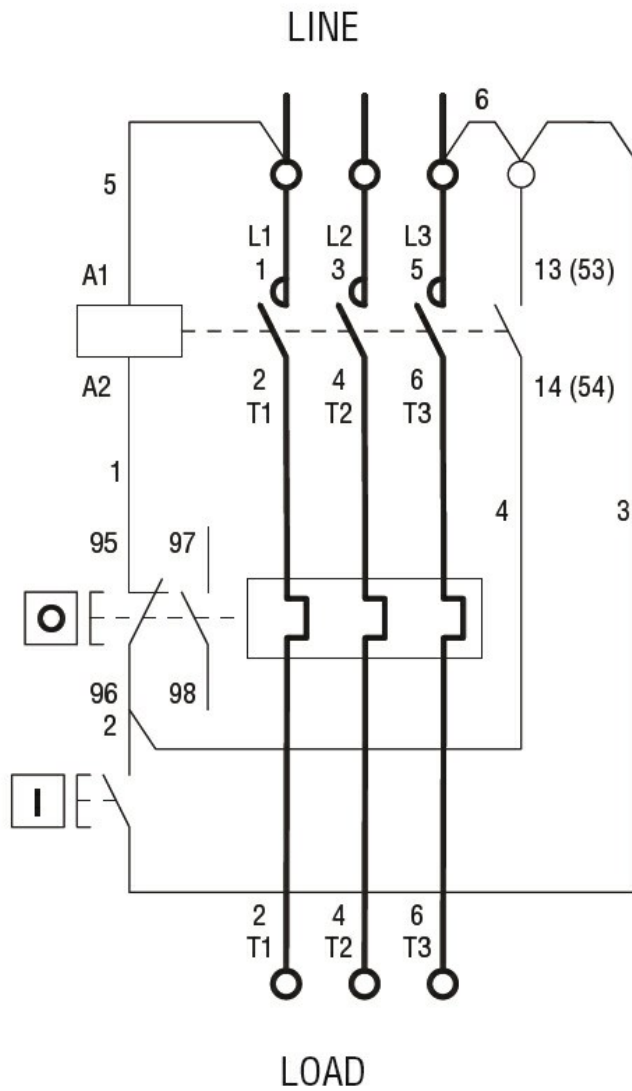
Resistance & Protection

Frontal IP degree	IP65
-------------------	------

Dimensions



Wiring diagrams



I = Start; O = Stop/Reset

Certifications and compliance

Compliance

IEC/EN 60947-1
IEC/EN 60947-4-1
UL508 CSA C22.2 n° 14

Certificates

CSAus
cULus
EAC

ETIM classification

ETIM 8.0

EC001037 -
Motor
starter/Motor
starter
combination