

Part number

# MHO 50 X32



Hood, C-TYPE series, with 2 levers, M32 side cable entry, size "66.40", without gasket

| Product description                           |                         | Material properties                 |  |
|---|-------------------------|-------------------------------------|--|
| <b>Product type</b>                           | Hood                    | <b>Other materials</b>              | Lever: Stainless steel, polyamide (PA) |
| <b>Series</b>                                 | C-TYPE                  | <b>Colour</b>                       | RAL 7040 grey                          |
| <b>Closing type</b>                           | With 2 levers           | <b>RoHs conformity</b>              | Compliant                              |
| <b>Size</b>                                   | Size "66.40"            | <b>China RoHs - EFUP</b>            | E                                      |
| <b>Cable entry</b>                            | Side cable entry<br>M32 | <b>REACH SVHC substances</b>        | No                                     |
| <b>Specification</b>                          | Without gasket          | <b>Approvals / Standards</b>        |  |
| <b>Technical data</b>                         |                         | <b>Certifications</b>               | DNV, BV                                |
| <b>IP degree of protection</b>                | IP65 / IP66 / IP69      | <b>UL</b>                           | ECBT2                                  |
| <b>Further technical details</b>              |                         | <b>cUL</b>                          | ECBT8                                  |
| <b>Weight</b>                                 | 289,50 g                | <b>General ordering information</b> |  |
| <b>Operating temperature range (min, max)</b> | -40°C...+125°C          | <b>EAN13 code</b>                   | 8015747053853                          |
|   |                         | <b>eCl@ss 8.1</b>                   | 27440202                               |
|   |                         | <b>ETIM 7.0</b>                     | EC000437                               |
|   |                         | <b>Packaging Information</b>        |  |
|   |                         | <b>Packaging length</b>             | 340,00 mm                              |
|   |                         | <b>Packaging height</b>             | 135,00 mm                              |
|   |                         | <b>Packaging width</b>              | 200,00 mm                              |
|   |                         | <b>Packaging weight</b>             | 3,10 kg                                |
|   |                         | <b>Packaging volume</b>             | 9,18 dm <sup>3</sup>                   |
|   |                         | <b>Packaging description</b>        | Carton box                             |
|   |                         | <b>Packaging quantity</b>           | 10 Pcs                                 |
|   |                         | <b>Packaging EAN code</b>           | 8015747102193                          |

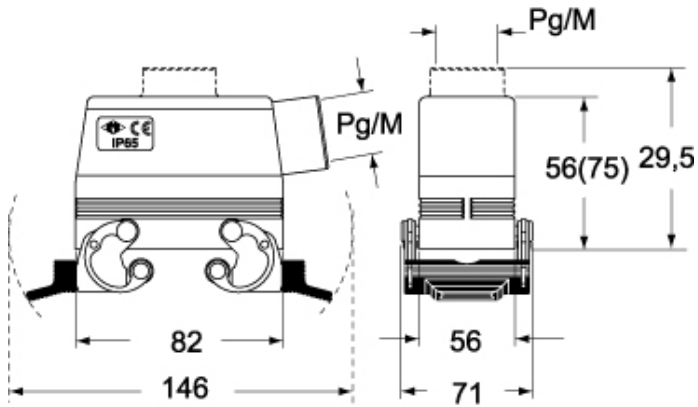
Part number

# MHO 50 X32



Catalogue drawings

**CHO X (CAO X) - CAV X**  
**MHO X (MAO X/MFO X/MFV X) - MAV X**



**CHC**



**CHC G**



## Notes

Dimensions shown in mm are not binding and may be changed without notice.