

Part number

# CK 03 IA



Angled Bulkhead mounting housing, CK series, with 1 lever without cable entry, size "21.21", white colour

#### Product description

<b>Product type</b>	Angled bulkhead mounting housing
<b>Series</b>	CK
<b>Closing type</b>	With 1 lever
<b>Size</b>	Size "21.21"
<b>Cable entry</b>	Without cable entry
<b>Specification</b>	White colour

#### Technical data

<b>IP degree of protection</b>	IP44 (IP66/IP67/IP69 with CKR 65/CKR 65 D kits)
--------------------------------	---

#### Further technical details

<b>Weight</b>	12,00 g
<b>Operating temperature range (min, max)</b>	-40°C...+125°C

#### Material properties

<b>Colour</b>	RAL 7035 grey
<b>RoHs conformity</b>	Compliant
<b>China RoHs - EFUP</b>	E
<b>REACH SVHC substances</b>	No

#### Approvals / Standards

<b>UL</b>	ECBT2
<b>cUL</b>	ECBT8

#### General ordering information

<b>EAN13 code</b>	8015747026277
<b>eCl@ss 8.1</b>	27440202
<b>ETIM 7.0</b>	EC000437

#### Packaging Information

<b>Packaging length</b>	360,00 mm
<b>Packaging height</b>	165,00 mm
<b>Packaging width</b>	315,00 mm
<b>Packaging weight</b>	2,26 kg
<b>Packaging volume</b>	18,71 dm <sup>3</sup>
<b>Packaging description</b>	Carton box
<b>Packaging quantity</b>	100 Pcs
<b>Packaging EAN code</b>	8015747026284
<b>Sub-packaging weight</b>	0,23 kg
<b>Sub-packaging description</b>	Plastic bag
<b>Sub-packaging quantity</b>	10 Pcs
<b>Sub-packaging EAN barcode</b>	8015747026291

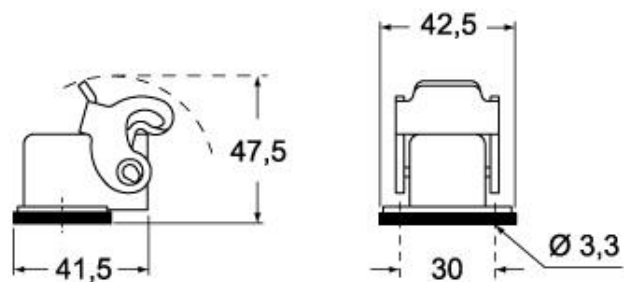
Part number

# CK 03 IA

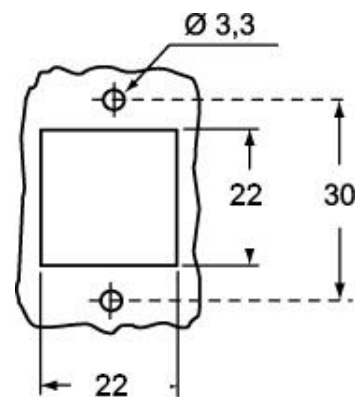


Catalogue drawings

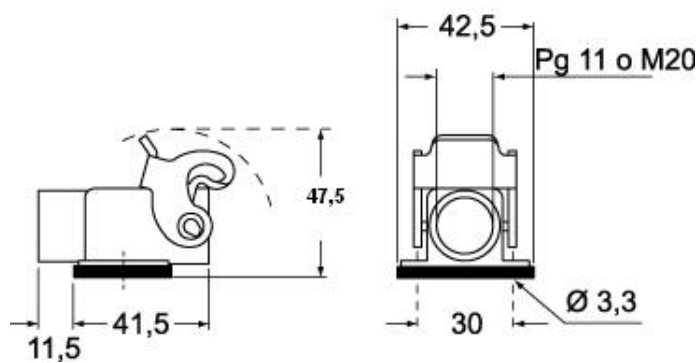
**CK IA(N)**



Catalogue drawings



**CK IAP(N)S - MK IAP (N)**



## Notes

Dimensions shown in mm are not binding and may be changed without notice.