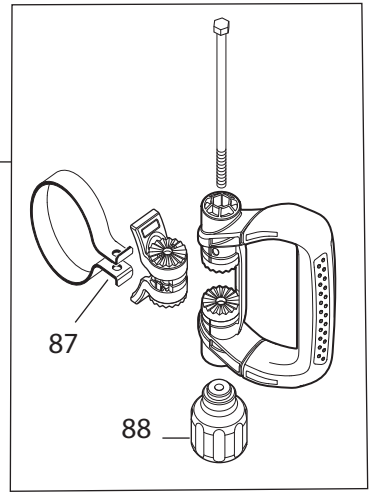
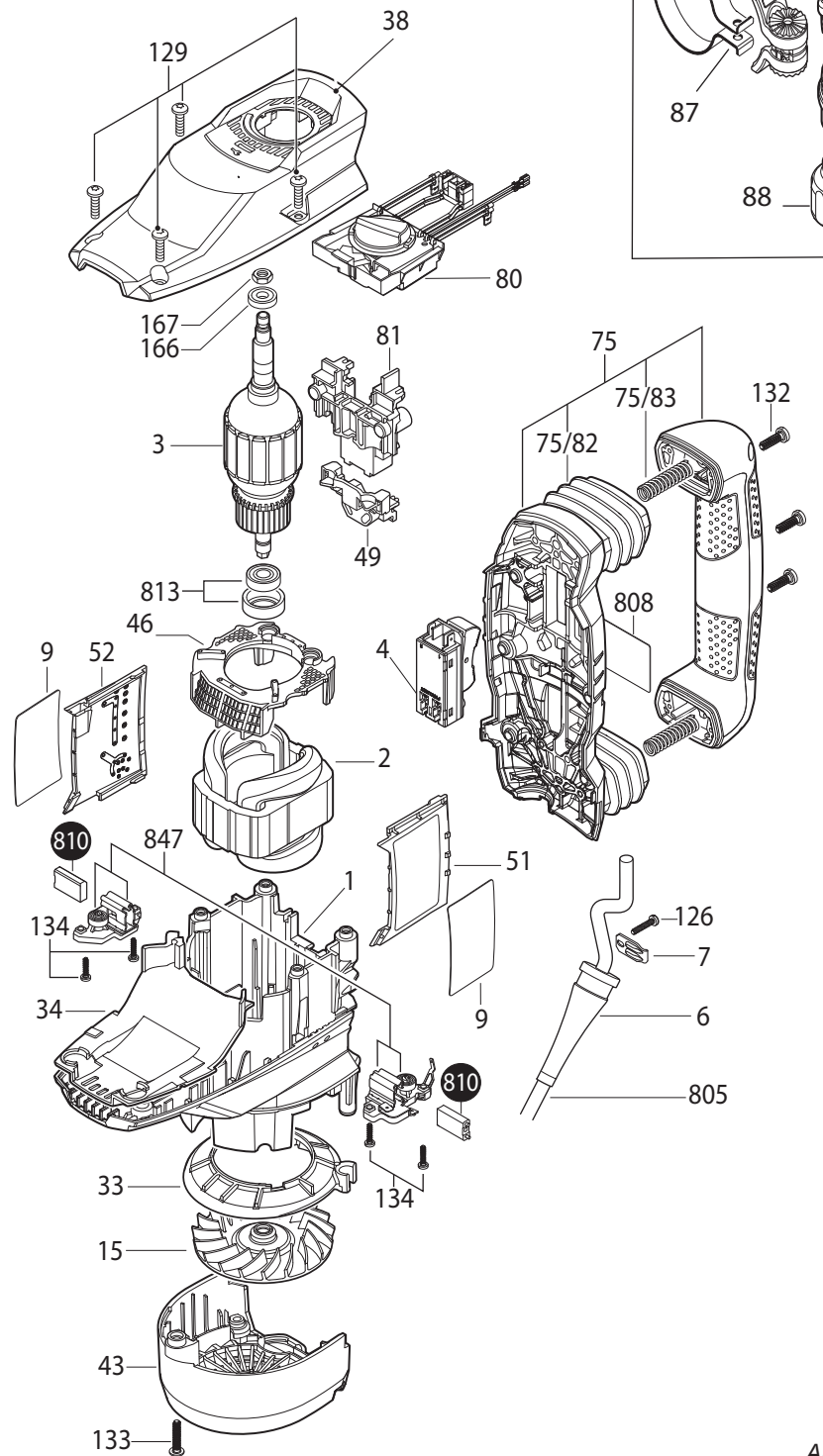
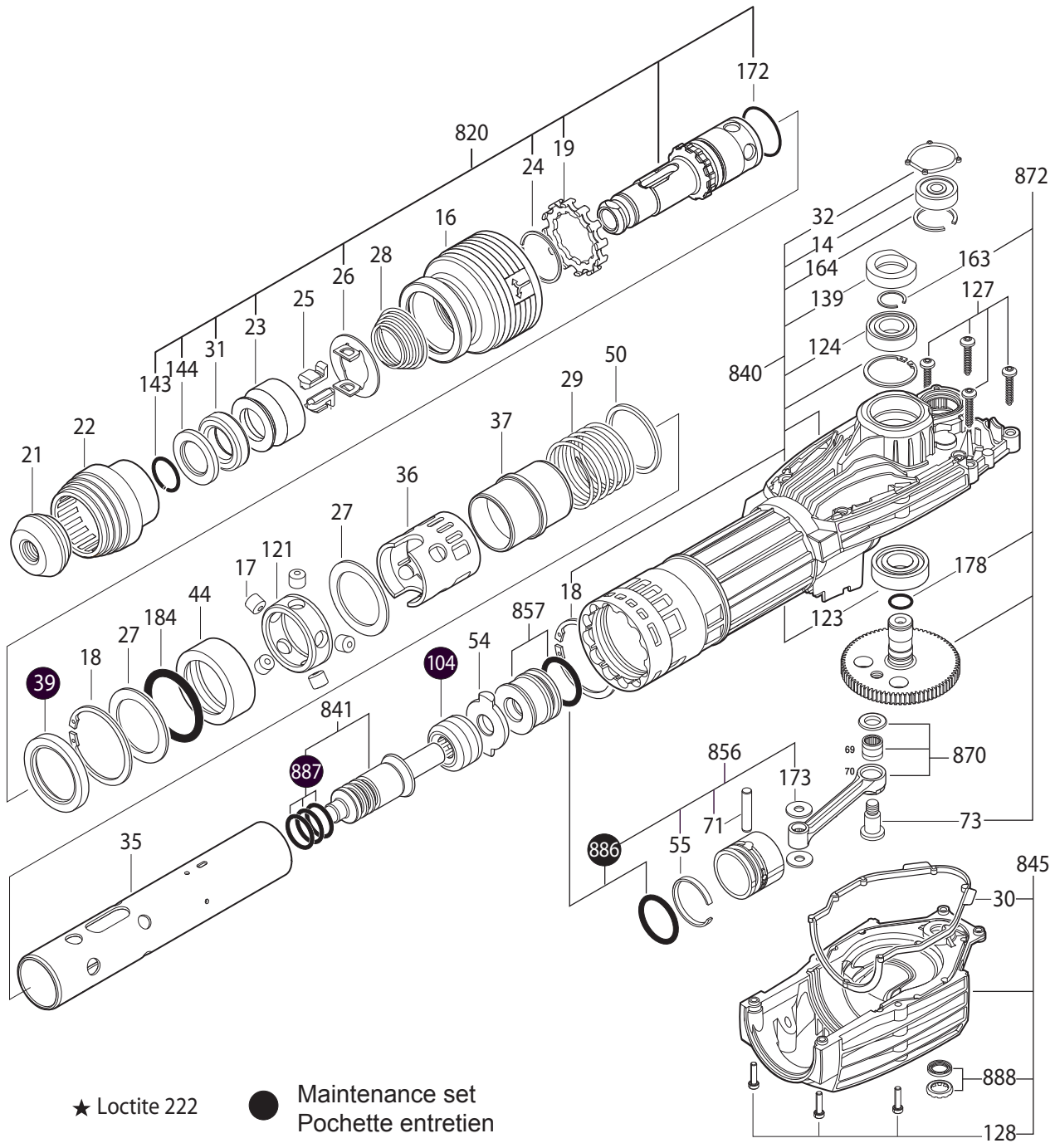


# SPIT SPIT 493



★ Loctite 222

● Maintenance set  
Pochette entretien



## Spare parts list of Spit 493

Position	Code	Description	Designation
1	652873	Motor Housing	Carter moteur
2	652874	Field 230V	Stator 230V
3	652875	Armature 230V	Induit 230V
4	652876	Switch	Interrupteur
6	116350	Grommet	Protege cable
7	355080	Fastening Clamp	Serre cable
9	652877	Sticker SPIT 493	Etiquette
14	652878	Deep-Groove Ball Bearing	Roulement d'induit
15	652880	Fan	Ventilateur
16	652881	Guide Sleeve	Manchon guidage
17	652882	Locking Bolt	Ergot retenu
18	652883	Spring retaining ring	Circlip retenu
19	652884	Carrier	Rondelle crantée
21	364100	Protective Cap	Bague arret manchon
22	652885	Protection Sleeve	Manchon protection
23	652886	Stop Sleeve	Bague verrouillage
24	652478	Retaining ring	Anneau
25	364130	Stopping Device	Ergot retenu
26	652887	Indexing Disk	Bague retenue
27	652888	Stop Disc	Rondelle
28	652890	Conical helical spring	Ergot retenu
29	652891	Compression Spring	Ressort
30	652892	Sealing Frame	Joint etancheité
31	652893	Damping Ring	Anneau amortisseur
32	652894	Sealing Frame	Joint etancheité
33	652895	Air-Deflector Ring	Deflecteur d'air
34	652896	Air Path	Deflecteur
35	652897	Hammer Pipe	Cylindre
36	652898	Perforated Ring	Douille réglage
37	652899	Control Bushing	Guide
38	652900	Covering hood	Capot arriere
39	652901	Rotary shaft lip seal	Joint etancheité
43	652902	Brush-Cover	Couvercle
44	652903	Guide Sleeve	Manchon de guidage
46	652904	Holding-Down-Appliance	Cale stator
49	652905	Plug Holder	Cale
50	652910	Stop Ring	Joint arret
51	652912	Housing Cover left side	Couvercle carter G
52	652913	Housing Cover right side	Couvercle carter D
54	652914	Control Disc	Entretoise
55	652915	Retaining snap ring	Segment
71	652916	Straight Pin	Axe piston
73	652986	Eccentric Bolt	Vis bielle
75	652935	Handle	Poignée
75/82	652941	Bellows	Coussin
73/83	652945	Compression Spring	Ressort compression
80	652947	Speed governor	Selecteur vitesse
81	652948	Inserted Part	Cale
87	652951	Clamping Band	Collier serrage poignée
88	652952	Star Knob M8 black	Vis étoilée M8 Noir
104	652953	Damper	Amortisseur
121	652955	Retaining snap ring	Bague ergot



## Spare parts list of Spit 493

Position	Code	Description	Designation
123	652956	Deep-Groove Ball Bearing	Roulement
124	652957	Deep-Groove Ball Bearing	Roulement
126	652724	Torx Oval-Head Screw 4x20	Vis 4x20
127	652987	Torx Oval-Head Screw	Vis
128	652959	Torx Oval-Head Screw	Vis
129	653001	Torx Oval-Head Screw	Vis
132	653002	Torx Oval-Head Screw	Vis
133	653003	Torx Oval-Head Screw	Vis
134	653004	Torx Oval-Head Screw	Vis
139	653005	Felt Washer	Rondelle
143	653006	Retaining ring	Joint maitien
144	653007	Supporting Disc	Bague
163	653008	Spring retaining ring	Ressort
164	653009	Spring retaining ring	Ressort
166	653010	Solenoid Ring	Roulement
167	653011	Hex Nut DIN 439-BM8-04	Ecrou
172	653012	O-Ring	Joint
173	653013	Disc	Rondelle
178	653014	O-Ring	Joint
184	653015	Damping Ring	Bague
805	355060	Power supply cord	Cable alimentation 230V
808	653017	Nameplate	Etiquette
810	653018	Carbon Brush	Balai
813	653019	Deep-Groove Ball Bearing	Roulement
820	653020	Toolholder	porte outil
840	653021	Impact Mechanism Housing	Carter engrenage
841	653022	Striker Pin	Frappeur
845	653023	Gear Cover	Couvercle carter
847	653024	Brush Holder	Porte balai
856	653025	Hammer Piston	Ens.piston
857	653026	Striker	Piston libre
870	653027	Connecting Rod	Ens.bielle
872	653028	Eccentric Cog Wheel	Ens.excentrique
885	653029	Auxiliary Handle	Poignée Auxiliaire
886	653030	O-Ring	Joint
887	653031	O-Ring	Joint
888	653032	Parts Set	Joint
897	653033	Maintenance set	Pochette entretien

April 2014

