



Product designation

Signal tower  
Ø70mm/2.75"

Product type designation

8LT7C -  
Connection  
modules

### General characteristics

Diameter	mm - inch	70 / 2.75
Colour		Grey
IEC degree of protection		IP65

### Mechanical features

Tightening torque for terminals max	Nm	0.5
Terminals screw		Screw clamp terminals

Conductor section

AWG/Kcmil	max		16
	IEC	max	mm <sup>2</sup> 1.5

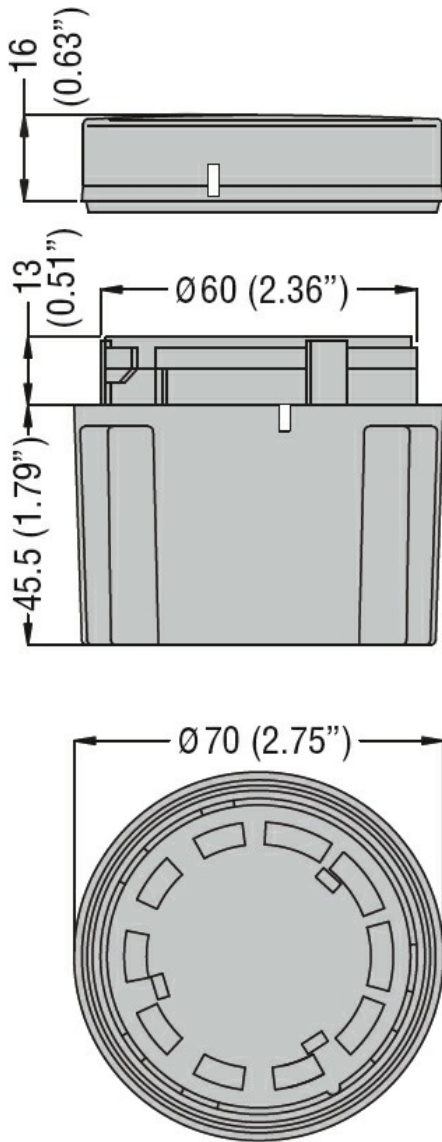
Weight		g	120
--------	--	---	-----

### Ambient conditions

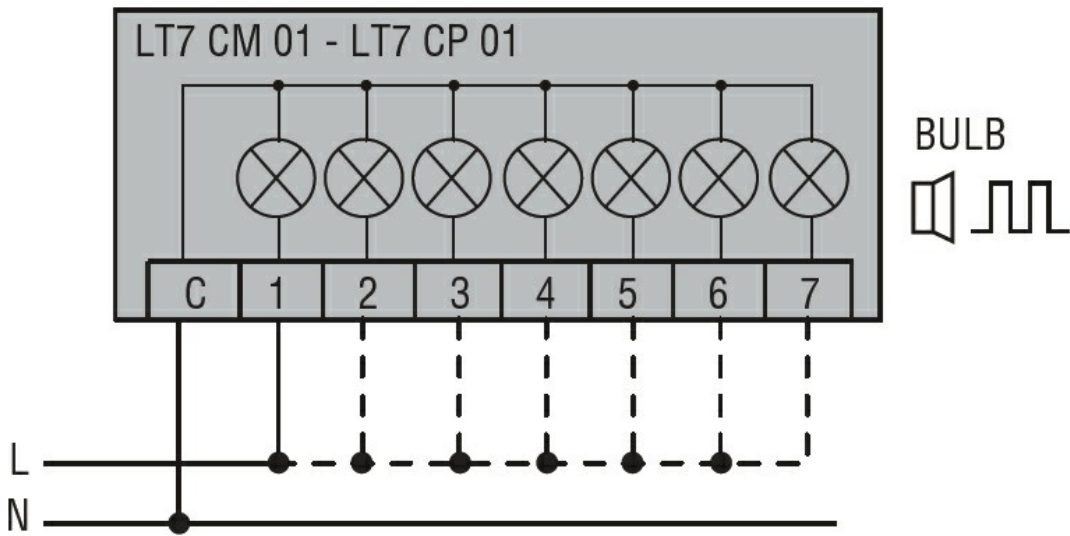
Temperature

Operating temperature	min	°C	-20
	max	°C	+50

### Dimensions



Wiring diagrams



Connect terminals C and 1 as indicated to power the first module.  
 If other modules are fitted, the respective terminals must be  
 connected accordingly.

**Certifications and compliance**

Compliance

CSA C22.2 n°14  
 IEC/EN 60947-1  
 IEC/EN 60947-5-1  
 UL508

Certificates

cULus  
 EAC

**ETIM classification**

ETIM 8.0

EC001152 -  
 Connection  
 module for signal  
 tower