

# ball valve

## Art. 557 - 657

**brv** bonetti rubinetterie valduggia

Loc. Molino Rastelli, 2 I-13018 VALDUGGIA (VC) ITALY

Tel. +39 0163 48062 - Fax +39 0163 48188

http://www.brv.it - email: info@brv.it



**557**  
**657** 

Ball valve in hot forged brass for 1/2" water meters (Qn 1.5).

Nickel plated. Sealable and removable coupling nut.

NBR gasket available on demand.

**Art. 557: PN 30. Max.150°C.**

**Art. 657: PN 16. Max.95°C.**

End threaded to ISO 228 (DIN 259 BSP 2779).

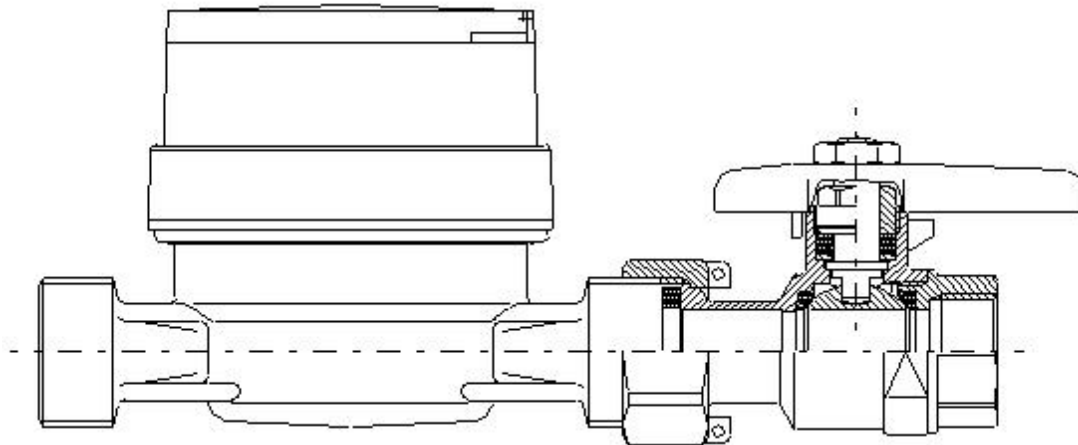
*Art. 657 CHECKBALL with check valve in the ball.*

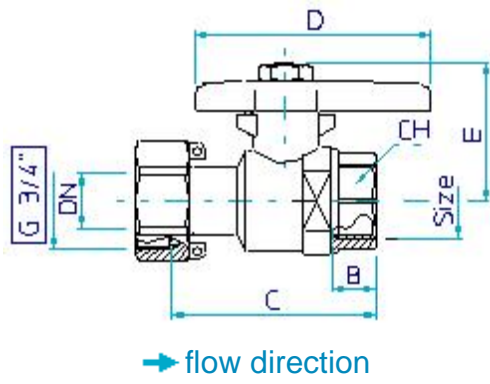
*With steel asymmetric T-handle.*

**Sizes: 1/2" and 3/4"**

	Art. 557	Art. 657
<b><u>WORKING PRESSURE</u></b>		
for saturated steam (+150°C)	5 bar	-
for water, oil and non aggressive fluids (+25°C)	30 bar	16 bar
minimum pressure for check valve opening	-	30 mbar
<b><u>WORKING TEMPERATURE</u></b>		
Min. -20°C	Max.+150°C	Max.+95°C
<b><u>TEST PRESSURE</u></b>		
seal pneumatic test	6.5 bar	6.5 bar

COMP.	MATERIAL-TREATMENT	Q.
Handle	Steel; Epoxy resin painted	1
Nut	Brass P-CuZn40Pb2; Nickel plated	1
Stem	Brass P-CuZn40Pb2	1
Packing gland	Brass P-CuZn40Pb2	1
Stem packing	P.T.F.E.	2
Washer	Brass P-CuZn40Pb2	1
Coupling nut	Brass P-CuZn40Pb2; Nickel plated	1
Body	Brass P-CuZn40Pb2; Nickel plated	1
Ball seals	P.T.F.E.	2
Ball	Brass P-CuZn40Pb2; Chrome plated	1
Check valve (657)	Acetalic resin	1
Tailpiece	Brass P-CuZn40Pb2; Nickel plated	1





Size	3/8"	1/2"	3/4"	1"
B	-	12	11.5	-
C	-	56	57	-
D	-	65	65	-
E	-	38	38	-
CH	-	25	31	-
DN	-	15	15	-
Gr.	-	216	224	-
<b>M.Carton</b>				
557/657	-	135	120	-