

29500032	<b>DATA SHEET</b>
Valid from: 02.07.2018	<b>Polishing Disc POF ST(BFOC) Connector</b>

### Description

- Polishing disc for F-ST connector with polymer optical fiber
- For finishing of connector end faces



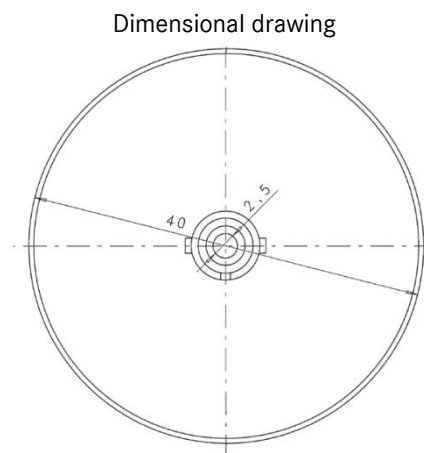
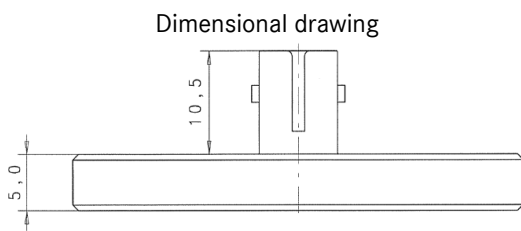
### General characteristics

Suitable connector type (acc. IEC61754-22)      F-ST

### Mechanical properties

Material      Stainless steel

### Technical drawing



### Application range

Optical networks, industry electronics, power electronics, consumer electronics

### Note

Photographs are not true to scale and do not represent detailed images of the respective products.