

Part number

# CZAO 25 L21



Hood, IL-BRID series, with 2 pegs, Pg21 side cable entry, size "66.16", high construction

#### Product description

<b>Product type</b>	Hood
<b>Series</b>	IL-BRID
<b>Closing type</b>	With 2 pegs
<b>Size</b>	Size 66.16
<b>Cable entry</b>	Side cable entry with adapter Pg21
<b>Specification</b>	High construction

#### Technical data

<b>IP degree of protection</b>	IP66 / IP67 / IP69
--------------------------------	--------------------

#### Further technical details

<b>Weight</b>	168,00 g
<b>Operating temperature range (min, max)</b>	-40°C...+125°C

#### Material properties

<b>Other materials</b>	Gasket: NBR
<b>Colour</b>	RAL 7040 grey
<b>RoHs conformity</b>	Compliant with exemption 6(c): copper alloy containing up to 4% lead by weight
<b>China RoHs - EFUP</b>	50
<b>REACH SVHC substances</b>	Yes Lead
<b>SCIP number</b>	15deaf78-e939-4401-a0b0-e2228ca32a03

#### Approvals / Standards

<b>UL</b>	ECBT2
<b>cUL</b>	ECBT8

#### General ordering information

<b>EAN13 code</b>	8015747043113
-------------------	---------------

#### Packaging Information

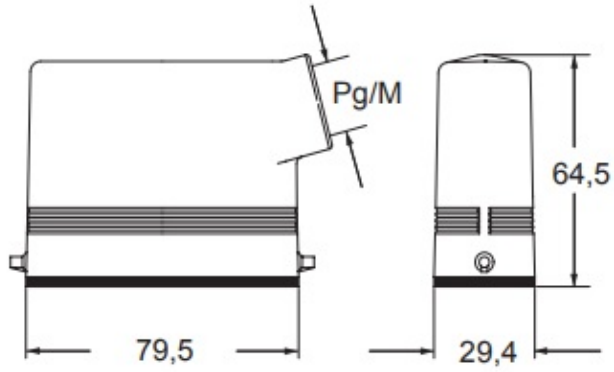
<b>Packaging length</b>	225,00 mm
<b>Packaging height</b>	130,00 mm
<b>Packaging width</b>	150,00 mm
<b>Packaging weight</b>	1,86 kg
<b>Packaging volume</b>	4,39 dm <sup>3</sup>
<b>Packaging description</b>	Carton box
<b>Packaging quantity</b>	10 Pcs
<b>Packaging EAN code</b>	8015747220439
<b>Sub-packaging weight</b>	0,93 kg
<b>Sub-packaging description</b>	Plastic packaging
<b>Sub-packaging quantity</b>	5 Pcs
<b>Sub-packaging EAN barcode</b>	8015747220446

Part number

# CZAO 25 L21



Catalogue drawings



## Notes

Dimensions shown in mm are not binding and may be changed without notice.