



Product designation				Power contactor
Product type designation				BF18
Contact characteristics				
Number of poles	Nr.			4
Rated insulation voltage U_i IEC/EN	V			690
Rated impulse withstand voltage U_{imp}	kV			6
Operational frequency	min	Hz	25	
	max	Hz	400	
IEC Conventional free air thermal current I_{th}	A			32
Operational current I_e	AC-1 ($\leq 40^\circ\text{C}$)	A	32	
	AC-1 ($\leq 55^\circ\text{C}$)	A	26	
	AC-1 ($\leq 70^\circ\text{C}$)	A	23	
	AC-3 ($\leq 440\text{V} \leq 55^\circ\text{C}$)	A	18	
	AC-4 (400V)	A	8.5	
Rated operational power AC-1 ($T \leq 40^\circ\text{C}$)	230V	kW	12	
	400V	kW	21	
	500V	kW	26	
	690V	kW	36	
IEC max current I_e in DC1 with $L/R \leq 1\text{ms}$ with 1 poles in series	$\leq 24\text{V}$	A	17	
	48V	A	15	
	75V	A	15	
	110V	A	6	
	220V	A	–	
IEC max current I_e in DC1 with $L/R \leq 1\text{ms}$ with 2 poles in series	$\leq 24\text{V}$	A	20	
	48V	A	20	
	75V	A	20	
	110V	A	13	
	220V	A	1	
IEC max current I_e in DC1 with $L/R \leq 1\text{ms}$ with 3 poles in series	$\leq 24\text{V}$	A	22	
	48V	A	22	
	75V	A	20	
	110V	A	16	
	220V	A	11	
IEC max current I_e in DC1 with $L/R \leq 1\text{ms}$ with 4 poles in series	$\leq 24\text{V}$	A	22	
	48V	A	22	
	75V	A	20	
	110V	A	18	
	220V	A	13	

IEC max current I_e in DC3-DC5 with L/R ≤ 15ms with 1 poles in series

≤24V	A	12
48V	A	11
75V	A	11
110V	A	2
220V	A	–

IEC max current I_e in DC3-DC5 with L/R ≤ 15ms with 2 poles in series

≤24V	A	15
48V	A	13
75V	A	13
110V	A	8
220V	A	2

IEC max current I_e in DC3-DC5 with L/R ≤ 15ms with 3 poles in series

≤24V	A	18
48V	A	18
75V	A	16
110V	A	12
220V	A	6

IEC max current I_e in DC3-DC5 with L/R ≤ 15ms with 4 poles in series

≤24V	A	18
48V	A	18
75V	A	16
110V	A	13
220V	A	8

Short-time allowable current for 10s (IEC/EN60947-1)

A	200
---	-----

Protection fuse

gG (IEC)	A	32
aM (IEC)	A	20

Making capacity (RMS value)

A	180
---	-----

Breaking capacity at voltage

440V	A	144
500V	A	120
690V	A	94

Resistance per pole (average value)

mΩ	2.5
----	-----

Power dissipation per pole (average value)

I _{th}	W	2.6
AC-3	W	0.8

Tightening torque for terminals

min	Nm	1.5
max	Nm	1.8
min	I _{bin}	1.1
max	I _{bin}	1.5

Tightening torque for coil terminal

min	Nm	0.8
max	Nm	1
min	I _{bin}	0.8
max	I _{bin}	0.74

Max number of wires simultaneously connectable

Nr.	2
-----	---

Conductor section

AWG/Kcmil

max	10
-----	----

Flexible w/o lug conductor section

min	mm ²	1
-----	-----------------	---

		max	mm ²	6
Flexible c/w lug conductor section		min	mm ²	1
		max	mm ²	4
Flexible with insulated spade lug conductor section		min	mm ²	1
		max	mm ²	4
Power terminal protection according to IEC/EN 60529				IP20 when properly wired
Mechanical features				
Operating position		normal allowable		Vertical plan ±30°
Fixing				Screw / DIN rail 35mm
Weight			g	502
Conductor section	AWG/kcmil conductor section			
		max		10
Operations				
Mechanical life			cycles	20000000
Electrical life			cycles	1600000
Safety related data				
Performance level B10d according to EN/ISO 13489-1		rated load mechanical load	cycles	1600000
			cycles	20000000
Mirror contacts according to IEC/EN 60947-4-1				yes
EMC compatibility				yes
DC coil operating				
DC rated control voltage			V	24
DC operating voltage	pick-up	min	%Us	80
		max	%Us	110
	drop-out	min	%Us	10
		max	%Us	40
Average coil consumption ≤20°C		in-rush holding	W	2.4
			W	2.4
Max cycles frequency				
Mechanical operation			cycles/h	3600
Operating times				
Average time for Us control in AC	Closing NO	min	ms	8
		max	ms	24
	Opening NO	min	ms	10
		max	ms	20
	Closing NC	min	ms	14
		max	ms	28

	Opening NC	min	ms	7
		max	ms	18
in DC				
	Closing NO	min	ms	75
		max	ms	91
	Opening NO	min	ms	15
		max	ms	19

UL technical data

Full-load current (FLA) for three-phase AC motor

at 480V	A	14
at 600V	A	17

Yielded mechanical performance

for single-phase AC motor

110/120V	HP	1
230V	HP	3

for three-phase AC motor

200/208V	HP	5
220/230V	HP	5
460/480V	HP	10
575/600V	HP	15

General USE

Contactor

AC current	A	32
------------	---	----

Short-circuit protection fuse, 600V

High fault

Short circuit current	kA	100
Fuse rating	A	60
Fuse class		J

Standard fault

Short circuit current	kA	5
Fuse rating	A	80

Ambient conditions

Temperature

Operating temperature

min	°C	-50
max	°C	70

Storage temperature

min	°C	-60
max	°C	80

Max altitude

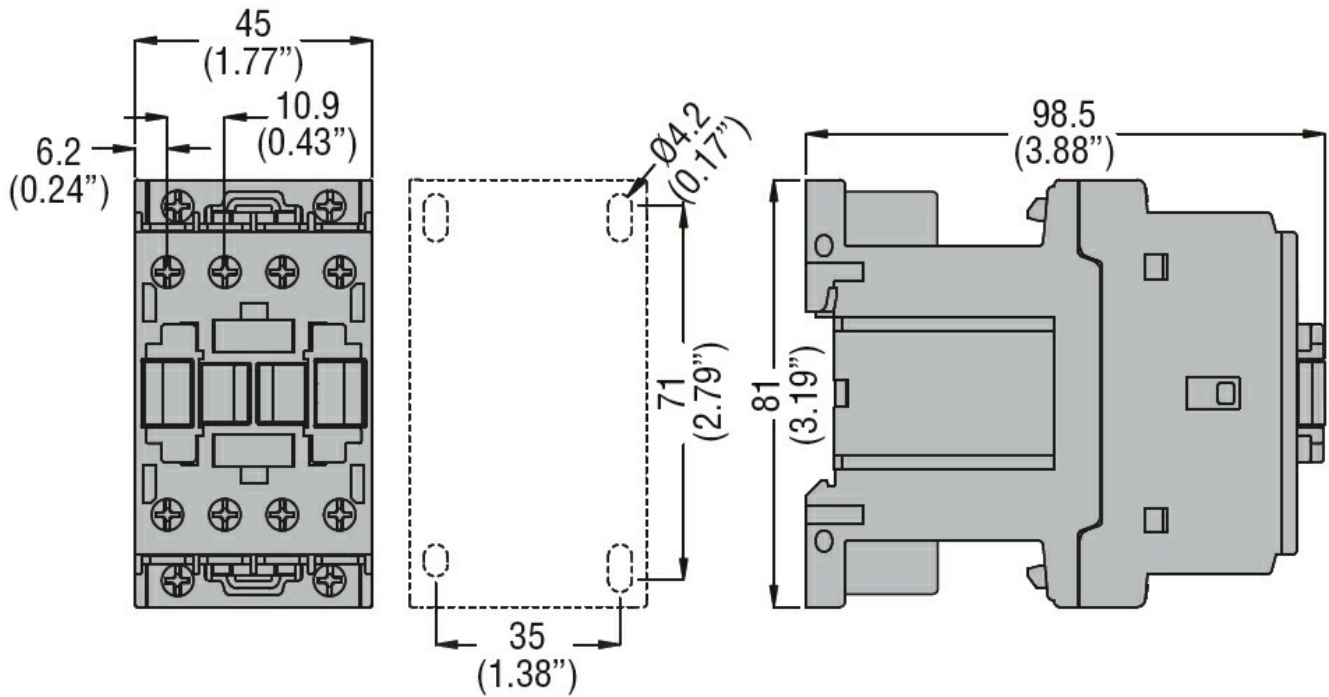
m	3000
---	------

Resistance & Protection

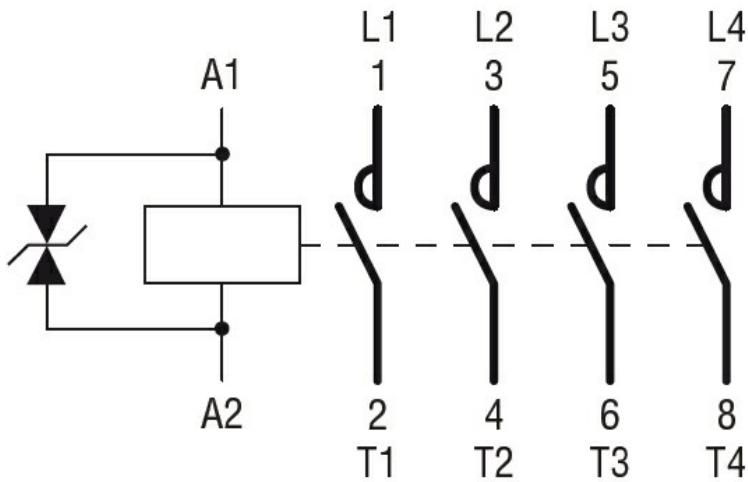
Pollution degree

3

Dimensions



Wiring diagrams



Certifications and compliance

Compliance

CSA C22.2 n° 60947-1
CSA C22.2 n° 60947-4-1
IEC/EN/BS 60947-1
IEC/EN/BS 60947-4-1
UL 60947-1
UL 60947-4-1

Certificates

CCC
cULus
EAC

ETIM classification

ETIM 8.0

EC000066 -
Power contactor,
AC switching