

**NOTES:**

RATED VOLTAGE:      MAX. 63V AC/DC

RATED CURRENT:      MAX. 16A at 40°C (derating has to be considered)

IP RATING:      IP67 (mated and locked condition)

TEMPERATURE RANGE:      -25°C TO +85°C

CABLE PRINTING (sequence as shown below):

- MOLEX engineering no. (see page 2)
- MOLEX material no. (see page 2)
- MOLEX MAX. 63V AC/DC MAX. 16 A USL
- MOLEX AND DATE OF MANUFACTURING (YY=YEAR; WW=WEEK): MXYWW
- Not for current interrupting
- PROFINET 24V Power 4x2,5 + FE

PART ACCORDING PRODUCT SPEC: 1205010169

PACKAGING ACCORDING PACKAGING SPEC: 1201202000

**TABLE 1**

POS	DESCRIPTION	MATERIAL	FINISH
1	NUT M12 FE	BRASS	Ni
2	NUT M12 MA	BRASS	Ni
3	CONTACT 15 MA	BRASS	Au
4	CONTACT 15 FE	BRASS	Au
5	INSERT FEMALE	PA	GREY
6	INSERT MALE	PA	GREY
7	OVERMOLD	TPE	BLACK
8	CABLE 5x2.5 D11.3 WSOR	PUR	GREY
9	GASKET OR 8.2X1.25	FKM	BLACK
OPTIONAL 10	ID CARRIER	-	-

FUNCTIONAL SYMBOLS	THIS DRAWING CONTAINS INFORMATION THAT IS PROPRIETARY TO MOLEX ELECTRONIC TECHNOLOGIES, LLC AND SHOULD NOT BE USED WITHOUT WRITTEN PERMISSION	CURRENT REV DESC: NEW P/N'S ADDED		<b>molex</b>																					
	<table border="1"> <tr> <th>FUNCTIONAL SYMBOLS</th> <th>DIMENSION UNITS</th> <th>SCALE</th> </tr> <tr> <td><math>\sqrt{A}</math> = 0</td> <td>mm</td> <td>2:1</td> </tr> <tr> <td><math>\sqrt{E}</math> = 0</td> <td colspan="2">GENERAL TOLERANCES (UNLESS SPECIFIED)</td> </tr> <tr> <td><math>\sqrt{E}</math> = 0</td> <td colspan="2">ANGULAR TOL ± 1.0°</td> </tr> <tr> <td rowspan="5">DIVISIONAL SYMBOLS</td> <td>4 PLACES</td> <td>±</td> </tr> <tr> <td>3 PLACES</td> <td>±</td> </tr> <tr> <td>2 PLACES</td> <td>± 0.05</td> </tr> <tr> <td>1 PLACE</td> <td>± 0.3</td> </tr> <tr> <td>0 PLACES</td> <td>± 0.5</td> </tr> </table>	FUNCTIONAL SYMBOLS	DIMENSION UNITS		SCALE	$\sqrt{A}$ = 0	mm	2:1	$\sqrt{E}$ = 0	GENERAL TOLERANCES (UNLESS SPECIFIED)		$\sqrt{E}$ = 0	ANGULAR TOL ± 1.0°		DIVISIONAL SYMBOLS	4 PLACES	±	3 PLACES	±	2 PLACES	± 0.05	1 PLACE	± 0.3	0 PLACES	± 0.5
FUNCTIONAL SYMBOLS	DIMENSION UNITS	SCALE																							
$\sqrt{A}$ = 0	mm	2:1																							
$\sqrt{E}$ = 0	GENERAL TOLERANCES (UNLESS SPECIFIED)																								
$\sqrt{E}$ = 0	ANGULAR TOL ± 1.0°																								
DIVISIONAL SYMBOLS	4 PLACES	±																							
	3 PLACES	±																							
	2 PLACES	± 0.05																							
	1 PLACE	± 0.3																							
	0 PLACES	± 0.5																							
DRAFT WHERE APPLICABLE MUST REMAIN WITHIN DIMENSIONS		THIRD ANGLE PROJECTION	DRAWING      SERIES      MATERIAL NUMBER      CUSTOMER	DOCUMENT NUMBER      DOC TYPE      DOC PART      REVISION																					
		A3-SIZE	120501	1205010100      PSD      000      A3																					
			SEE TABLE 2	GENERAL MARKET      SHEET NUMBER																					
				1 OF 2																					

# ENGINEERING NO - NUMERICAL CODE (Available parts see PART LIST table. Other parts available upon request).

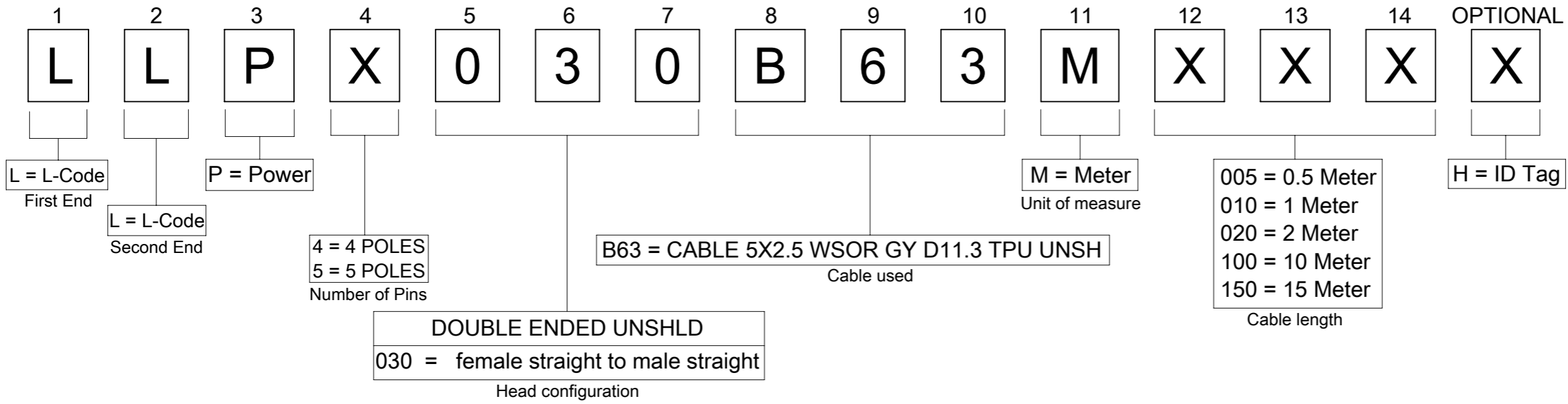


TABLE 2

NOMINAL SECTION 2,5mm <sup>2</sup>			
MATERIAL NO.	ENGINEERING NO.	L [mm]	TOLERANCE [mm]
1205010283	LLP5030B63M003	300	+40
1205010100	LLP5030B63M005	500	+40
1205010286	LLP5030B63M070	700	+40
1205010101	LLP5030B63M010	1000	+40
1205010102	LLP5030B63M020	2000	+60
1205010103	LLP5030B63M030	3000	+60
1205010284	LLP5030B63M040	4000	+60
1205010104	LLP5030B63M050	5000	+60
1205010285	LLP5030B63M060	6000	+80
1205010286	LLP5030B63M070	7000	+80
1205010287	LLP5030B63M080	8000	+80
1205010105	LLP5030B63M100	10000	+80
1205010288	LLP5030B63M120	12000	+140
1205010289	LLP5030B63M140	14000	+140
1205010106	LLP5030B63M150	15000	+140
1205010290	LLP5030B63M180	18000	+160
1205010107	LLP5030B63M200	20000	+160
1205010291	LLP5030B63M230	23000	+160
1205010292	LLP5030B63M270	27000	+160
1205010293	LLP5030B63M300	30000	+160
1205010294	LLP5030B63M340	34000	+350
1205010295	LLP5030B63M380	38000	+380
1205010296	LLP5030B63M420	42000	+420
1205010297	LLP5030B63M460	46000	+460
1205010298	LLP5030B63M500	50000	+500
1205010299	LLP5030B63M540	54000	+540
1205010300	LLP5030B63M570	57000	+570
1205010301	LLP5030B63M610	61000	+610

NOMINAL SECTION 2,5mm <sup>2</sup>					
MATERIAL NO.	ENGINEERING NO.	L [mm]	TOLERANCE [mm]	QYT.	ID CARRIER
1205010169	LLP5030B63M005H	500	+40	2	
1205010170	LLP5030B63M010H	1000	+40	2	
1205010164	LLP5030B63M020H	2000	+60	2	
1205010165	LLP5030B63M030H	3000	+60	2	
1205010036	LLP5030B63M050H	5000	+60	2	
1205010037	LLP5030B63M100H	10000	+80	2	
1205010035	LLP5030B63M150H	15000	+140	2	
1205010039	LLP5030B63M200H	20000	+160	2	
1205010040	LLP5030B63M250H	25000	+160	2	
1205010038	LLP5030B63M300H	30000	+160	2	
1205010166	LLP5030B63M350H	35000	+350	2	
1205010167	LLP5030B63M400H	40000	+400	2	
1205010168	LLP5030B63M450H	45000	+450	2	

FUNCTIONAL SYMBOLS	THIS DRAWING CONTAINS INFORMATION THAT IS PROPRIETARY TO MOLEX ELECTRONIC TECHNOLOGIES, LLC AND SHOULD NOT BE USED WITHOUT WRITTEN PERMISSION	CURRENT REV DESC: NEW P/N'S ADDED		<b>molex</b>																																						
	<table border="1"> <tr><td>FUNCTIONAL SYMBOLS</td><td>THIS DRAWING CONTAINS INFORMATION THAT IS PROPRIETARY TO MOLEX ELECTRONIC TECHNOLOGIES, LLC AND SHOULD NOT BE USED WITHOUT WRITTEN PERMISSION</td><td colspan="2">CURRENT REV DESC: NEW P/N'S ADDED</td></tr> <tr><td>▽/A = 0</td><td>mm</td><td>1:1</td><td></td></tr> <tr><td>▽/E = 0</td><td colspan="3">GENERAL TOLERANCES (UNLESS SPECIFIED)</td></tr> <tr><td>▽/F = 0</td><td colspan="3">ANGULAR TOL ± 1.0°</td></tr> <tr><td></td><td>4 PLACES</td><td>±</td><td></td></tr> <tr><td></td><td>3 PLACES</td><td>±</td><td></td></tr> <tr><td></td><td>2 PLACES</td><td>± 0.05</td><td></td></tr> <tr><td></td><td>1 PLACE</td><td>± 0.3</td><td></td></tr> <tr><td></td><td>0 PLACES</td><td>± 0.5</td><td></td></tr> <tr><td></td><td colspan="3">DRAFT WHERE APPLICABLE MUST REMAIN WITHIN DIMENSIONS</td></tr> </table>	FUNCTIONAL SYMBOLS	THIS DRAWING CONTAINS INFORMATION THAT IS PROPRIETARY TO MOLEX ELECTRONIC TECHNOLOGIES, LLC AND SHOULD NOT BE USED WITHOUT WRITTEN PERMISSION		CURRENT REV DESC: NEW P/N'S ADDED		▽/A = 0	mm	1:1		▽/E = 0	GENERAL TOLERANCES (UNLESS SPECIFIED)			▽/F = 0	ANGULAR TOL ± 1.0°				4 PLACES	±			3 PLACES	±			2 PLACES	± 0.05			1 PLACE	± 0.3			0 PLACES	± 0.5			DRAFT WHERE APPLICABLE MUST REMAIN WITHIN DIMENSIONS		
FUNCTIONAL SYMBOLS	THIS DRAWING CONTAINS INFORMATION THAT IS PROPRIETARY TO MOLEX ELECTRONIC TECHNOLOGIES, LLC AND SHOULD NOT BE USED WITHOUT WRITTEN PERMISSION	CURRENT REV DESC: NEW P/N'S ADDED																																								
▽/A = 0	mm	1:1																																								
▽/E = 0	GENERAL TOLERANCES (UNLESS SPECIFIED)																																									
▽/F = 0	ANGULAR TOL ± 1.0°																																									
	4 PLACES	±																																								
	3 PLACES	±																																								
	2 PLACES	± 0.05																																								
	1 PLACE	± 0.3																																								
	0 PLACES	± 0.5																																								
	DRAFT WHERE APPLICABLE MUST REMAIN WITHIN DIMENSIONS																																									
DIVISIONAL SYMBOLS	THIRD ANGLE PROJECTION 	DRAWING A3-SIZE SERIES 120501	DOCUMENT NUMBER 1205010100 DOC TYPE PSD DOC PART 000 REVISION A3	CUSTOMER GENERAL MARKET SHEET NUMBER 2 OF 2																																						