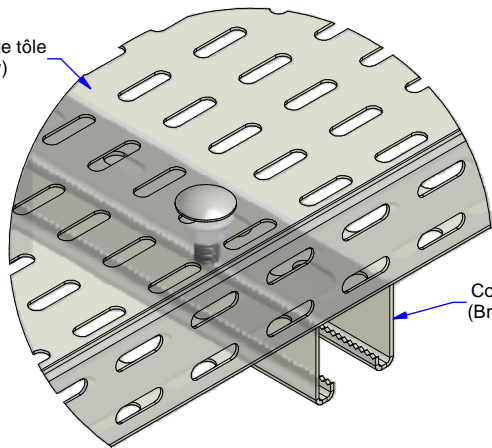


Chemin de câble tôle  
(Cable tray)



Console  
(Bracket)

Description	Code	Masse/Weight Kg/100	A mm	B mm	D mm	l./w. mm
BP TRCC M6x12 HE A4/316	529001	0,800	1,50	6,00	6	12
BP TRCC M6x15 HE A4/316	529002	0,900	1,50	6,00	6	15
BP TRCC M6x20 HE A4/316	529003	0,900	1,50	6,00	6	20
BP TRCC M8x18 HE A4/316	529004	1,400	2,50	8,00	8	18

**A4/316** : Stainless steel according to NF EN 10088-2 (316L) - Bolt  
**A4/316** : Acier inoxydable suivant NF EN 10088-2 (316L) - Boulonnerie



www.niedaxfrance.fr

BP TRCC HE A4/316



ASSISTANCE TECHNIQUE  
 +33 (0)1 55 95 92 17  
 pole.technique@niedax.fr

FT03262

**NIEDAX**  
 France

