



Product designation

Signal tower  
 Ø70mm/2.75"  
 8TL7FL - Light  
 modules

Product type designation

**General characteristics**

|                                   |           |           |
|-----------------------------------|-----------|-----------|
| Diameter                          | mm - inch | 70 / 2.75 |
| Supply voltage (AC)               | V         | 110...120 |
| Colour                            |           | Yellow    |
| IEC degree of protection          |           | IP65      |
| Light consumption per module (AC) | mA        | 20        |
| Light consumption per module (DC) | mA        | 20        |
| Sound module consumption (AC)     | mA        | 20        |
| Sound module consumption (DC)     | mA        | 20        |

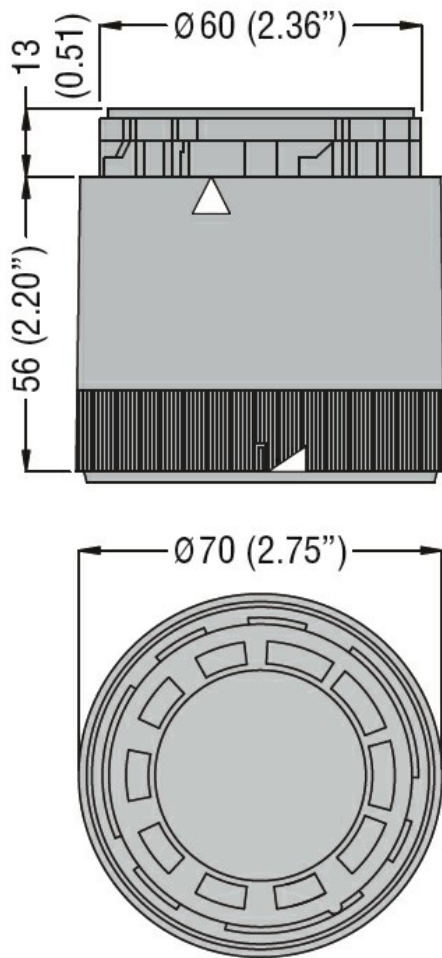
**Mechanical features**

|        |   |    |
|--------|---|----|
| Weight | g | 92 |
|--------|---|----|

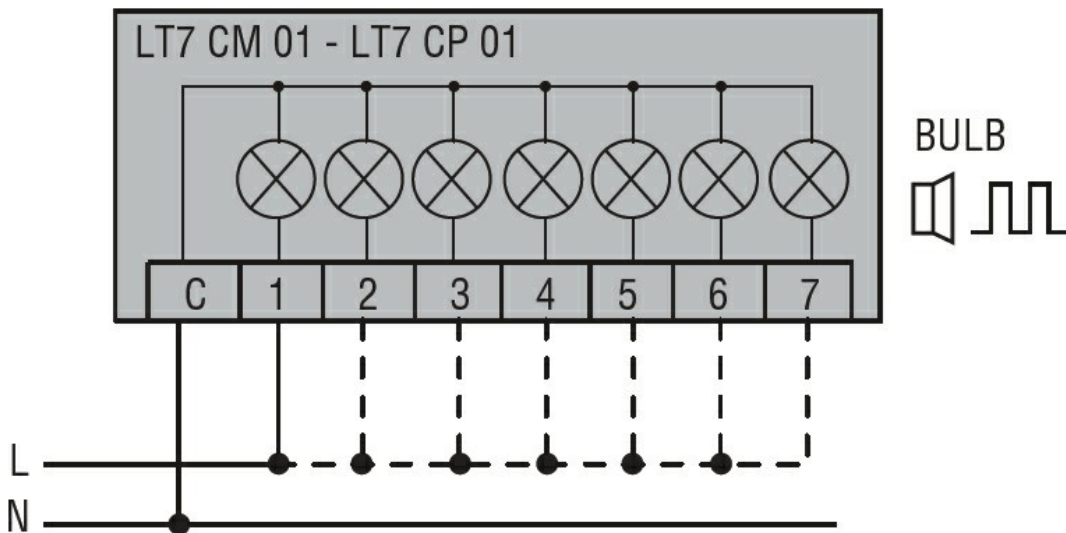
**Ambient conditions**

|             |                       |     |    |     |
|-------------|-----------------------|-----|----|-----|
| Temperature | Operating temperature | min | °C | -20 |
|             |                       | max | °C | +50 |

**Dimensions**



Wiring diagrams



Connect terminals C and 1 as indicated to power the first module. If other modules are fitted, the respective terminals must be connected accordingly.

Certifications and compliance

Compliance

CSA C22.2 n° 14

---

IEC/EN 60947-1

---

IEC/EN 60947-5-1

---

UL508

---

Certificates

---

cULus

---

EAC

**ETIM classification**

ETIM 8.0

EC000232 -  
Optical module  
for signal tower