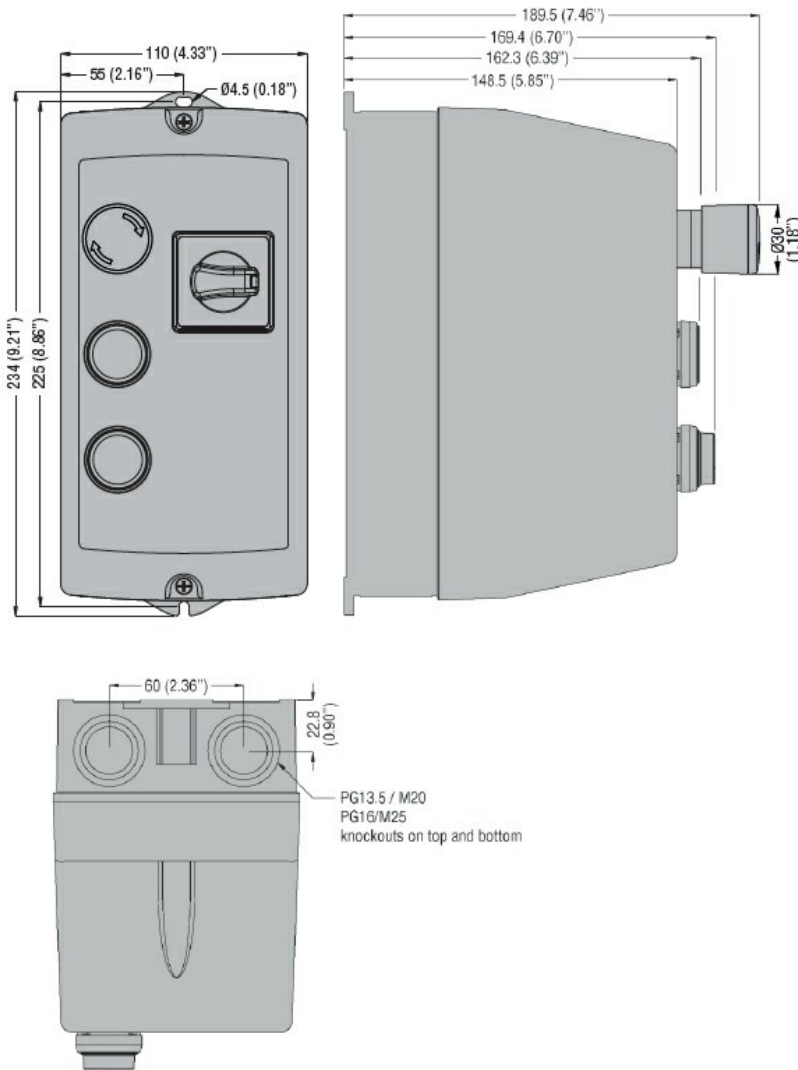




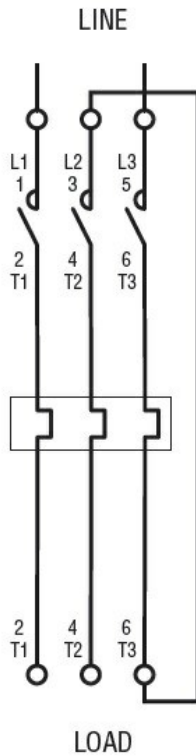
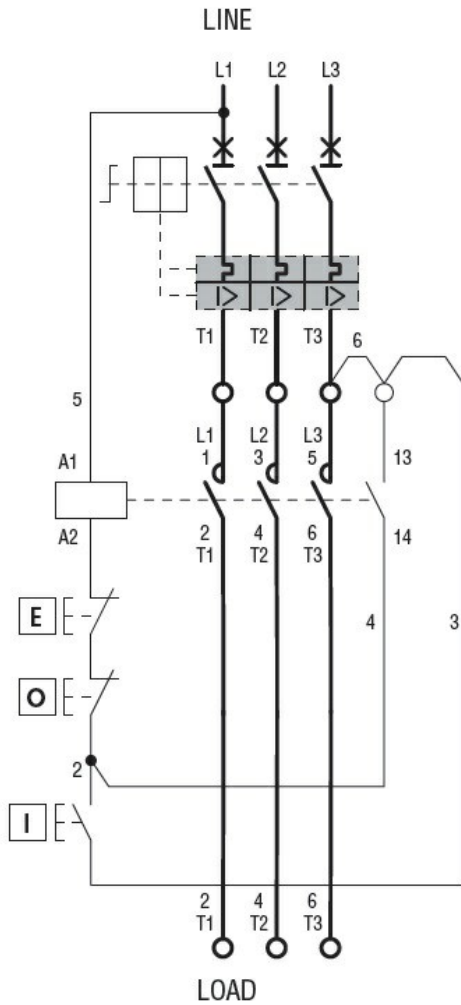
Product designation				Direct-on-line starter
Product type designation				M2P00911
Electrical features				
Relay adj range		A	9-14	
IEC technical characteristics ($\leq 440V$)				
	le	A	13	
	kW	kW	5.5	
Mechanical features				
Weight		g	1515	
Ambient conditions				
Operating temperature				
	min	°C	-25	
	max	°C	+60	
Storage temperature				
	min	°C	-40	
	max	°C	+70	
Resistance & Protection				
Frontal IP degree				IP65
Dimensions				



Wiring diagrams

Incorporated button control
and rotary actuator for 3-phase motors

Power
connection for 1-phase
motors



I = Start; O = Stop; E = Emergency Stop

Certifications and compliance

Compliance

IEC/EN 60947-1
IEC/EN 60947-4-1

Certificates

EAC

ETIM classification

ETIM 8.0

EC001037 -
Motor
starter/Motor
starter
combination