



Signal tower  
Ø70mm/2.75"  
LTN70

Product designation

Product type designation

**General characteristics**

Diameter	mm - inch	70 / 2.75
Supply voltage (AC)	V	110...230
IEC degree of protection		IP65
Power consumption	VA	1

**Mechanical features**

Terminals screw Spring terminals

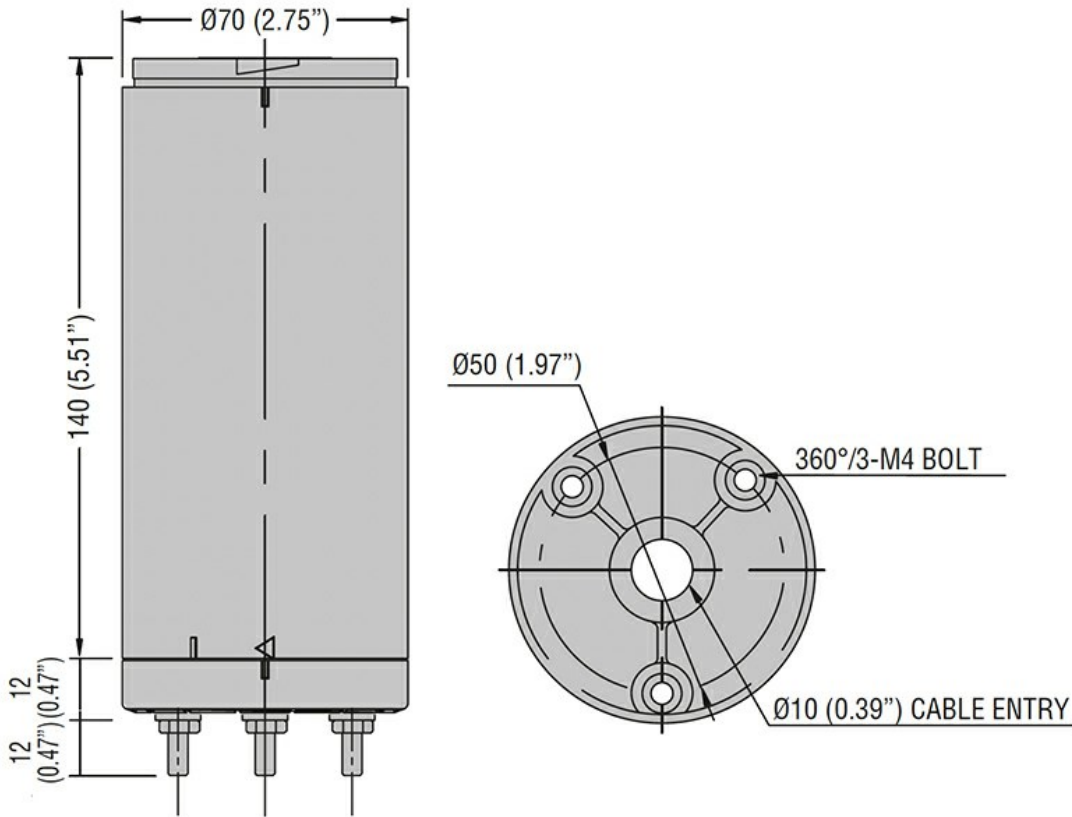
Conductor section	AWG/Kcmil	min	16	
		max	24	
	IEC	min	mm <sup>2</sup>	0.25
		max	mm <sup>2</sup>	1.5

Weight g 277

**Ambient conditions**

Temperature	Operating temperature	min	°C	-30
		max	°C	+50

**Dimensions**



### Certifications and compliance

#### Compliance

CSA C22.2 n° 14  
IEC/EN/BS 60947-1  
IEC/EN/BS 60947-5-1  
UL508

#### Certificates

cULus

### ETIM classification

ETIM 8.0

EC001154 -  
Stand for signal  
tower without  
tube