

Part number

# MHVR 06 L20



Hood, 180 °C series, with 2 pegs, M20 top cable entry, size "44.27"

#### Product description

<b>Product type</b>	Hood
<b>Series</b>	180 °C
<b>Closing type</b>	With 2 pegs
<b>Size</b>	Size 44.27
<b>Cable entry</b>	Top cable entry M20

#### Technical data

**IP degree of protection** IP65

#### Further technical details

<b>Weight</b>	86,50 g
<b>Operating temperature range (min, max)</b>	-40°C ... +180°C

#### Material properties

<b>RoHs conformity</b>	Compliant
<b>China RoHs - EFUP</b>	E
<b>REACH SVHC substances</b>	No

#### Approvals / Standards

<b>Certifications</b>	DNV, BV
<b>UL</b>	ECBT2
<b>cUL</b>	ECBT8

#### General ordering information

<b>EAN13 code</b>	8015747105224
<b>eCl@ss 8.1</b>	27440202
<b>ETIM 7.0</b>	EC000437

#### Packaging Information

<b>Packaging length</b>	255,00 mm
<b>Packaging height</b>	150,00 mm
<b>Packaging width</b>	180,00 mm
<b>Packaging weight</b>	1,94 kg
<b>Packaging volume</b>	6,89 dm <sup>3</sup>
<b>Packaging description</b>	Carton box
<b>Packaging quantity</b>	20 Pcs
<b>Packaging EAN code</b>	8015747299275
<b>Sub-packaging weight</b>	0,49 kg
<b>Sub-packaging description</b>	Plastic packaging
<b>Sub-packaging quantity</b>	5 Pcs
<b>Sub-packaging EAN barcode</b>	8015747299282

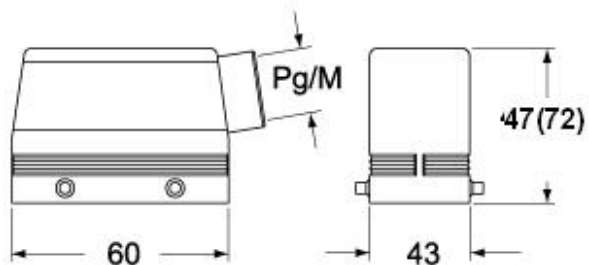
Part number

# MHVR 06 L20

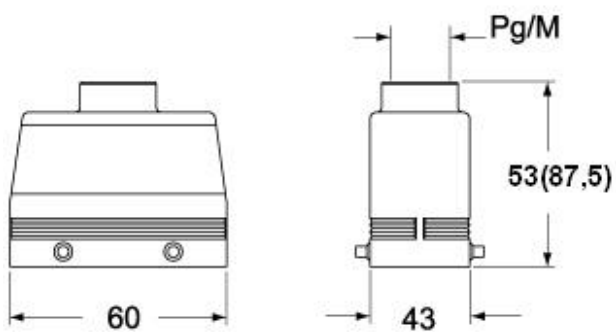


Catalogue drawings

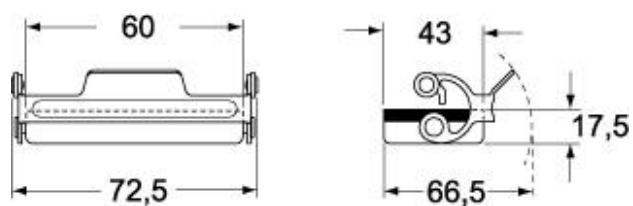
**CHOW (CAOW) - MHOW (MAOW)**



**CAVW - MAVW**



**CZCR LG**



## Notes

Dimensions shown in mm are not binding and may be changed without notice.