


Part number

# CDM 15



Male insert, CD series, crimp connection, 15 poles + PE, 10 A 250 V 4 kV 3, size "49.16"

Product description	
Product type	Insert
Series	CD
Connection type	Crimp connection
Gender	Male
N. of poles	15 poles + 
Size	Size "49.16"
Technical data	
Current	10 A
Voltage	250 V
Rated impulse withstand voltage	4 kV
Pollution degree	3
Rated voltage according to UL/CSA	600 V
IP degree of protection	IP20 without enclosure, IP65/IP66 with enclosure
Further technical details	
Characteristics according to EN 61984	10A 250V 4kV 3; 10A 230/400V 4kV 2
Mating cycles	≥ 500
Insulation resistance	≥ 10 GΩ
Contact resistance	≤ 3 mΩ
Weight	27,00 g
Operating temperature range (min, max)	-40 °C ... +125 °C
Conductors stripping length	6 - 8 mm
UL 94 flammability rating	V-0
Tightening torque for PE connection	M3,5: 0,8 Nm; 7,1 lb.in (Ph1 or 0,8 x 5,5 mm)
Tightening torque for fixing screws	M3: 0.5 Nm; 4.4 lb.in (Ph1 or 0.8x4 mm)

Material properties	
Main material	Polycarbonate (PC)
Colour	RAL 7032 grey
RoHs conformity	Compliant
China RoHs - EFUP	E
REACH SVHC substances	No
Approvals / Standards	
Reference standard	EN 61984:2009-06
Certifications	CSAc, CQC, DNV-GL, BV, EAC
UL	ECBT2
cUL	ECBT8
General ordering information	
EAN13 code	8015747015080
eCl@ss 8.1	27440205
ETIM 7.0	EC000438
Packaging Information	
Packaging weight	1,01 kg
Packaging volume	3,29 dm <sup>3</sup>
Packaging description	Carton box
Packaging quantity	30 Pcs
Packaging EAN code	8015747015097
Sub-packaging weight	0,17 kg
Sub-packaging description	Carton tray
Sub-packaging quantity	5 Pcs
Sub-packaging EAN barcode	8015747015103

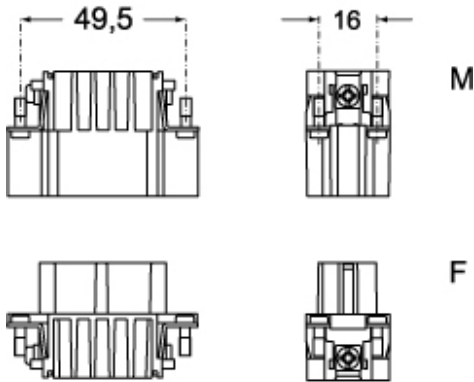
Part number

# CDM 15

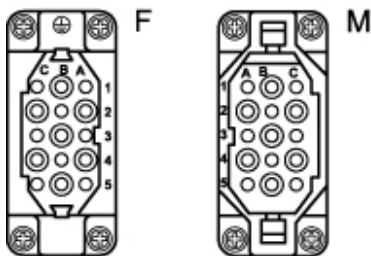


Catalogue drawings

## CDM 15

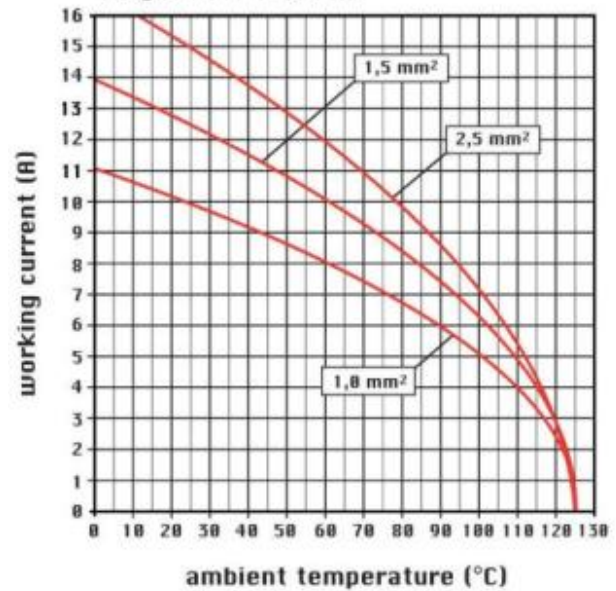


## CDF 15



Catalogue drawings

diagram CD 15 poles



## Notes

### California Proposition 65 Information



**WARNING**

This product can expose you to nickel compounds, known to the State of California to cause cancer and/or reproductive toxicity. For more information go to [www.P65Warnings.ca.gov](http://www.P65Warnings.ca.gov).

CDA ... : for non-prepared conductors



Dimensions shown in mm are not binding and may be changed without notice.

CDA ... X : for conductors with bush terminal