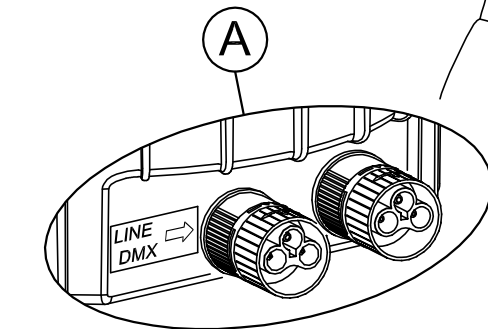
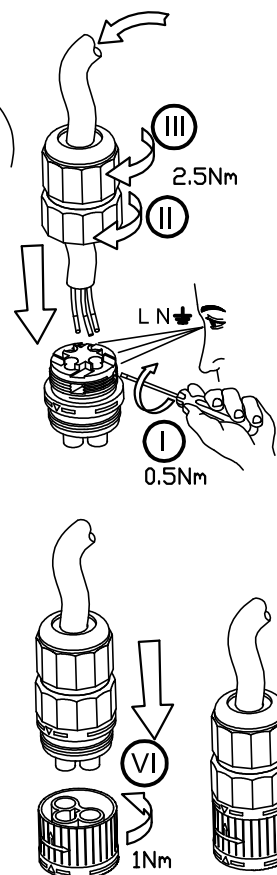
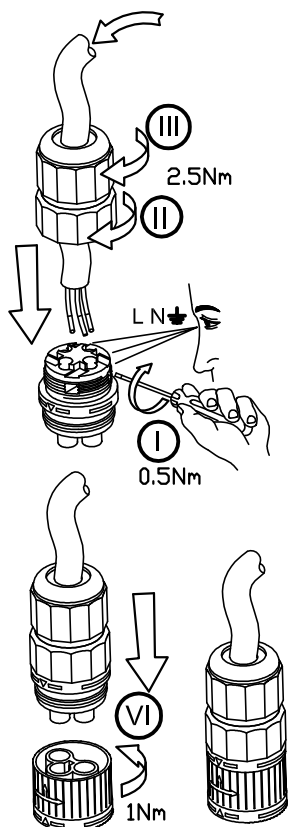
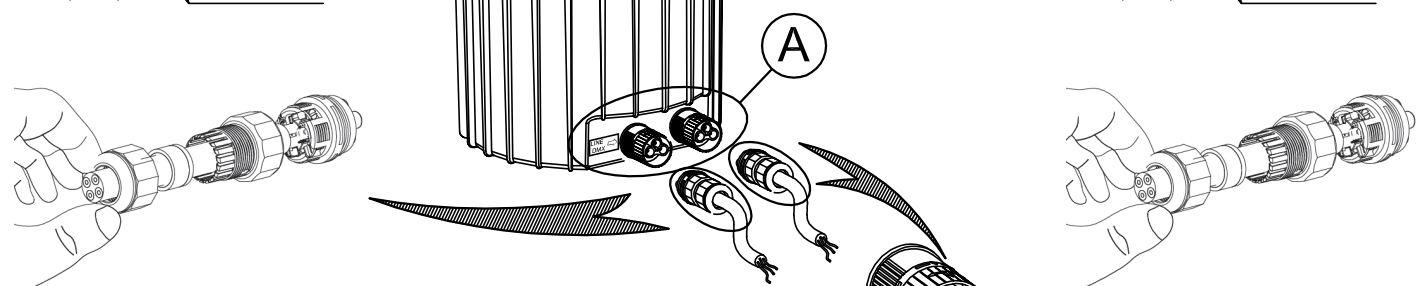
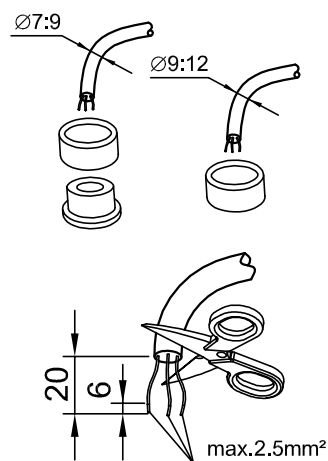
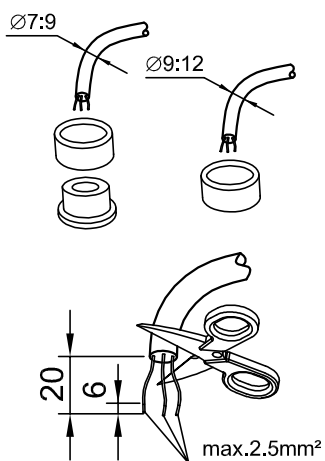


LINE DMX

LINE 220-240V



"L"	DMX " + "
"N"	DMX " - "
⊕	DMX SHIELD

DMX/RDM:
USITT DMX 512A AND ANSI E1.20(EXPLORE & ADDRESS)