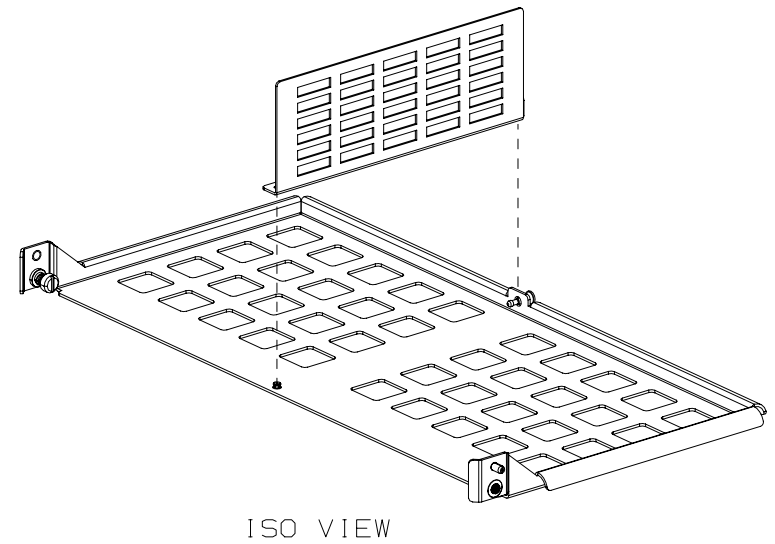
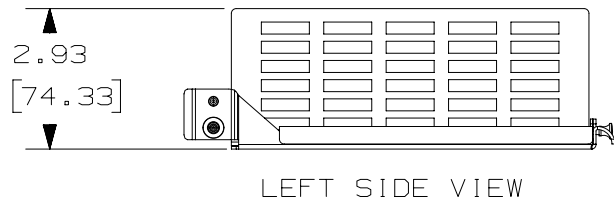
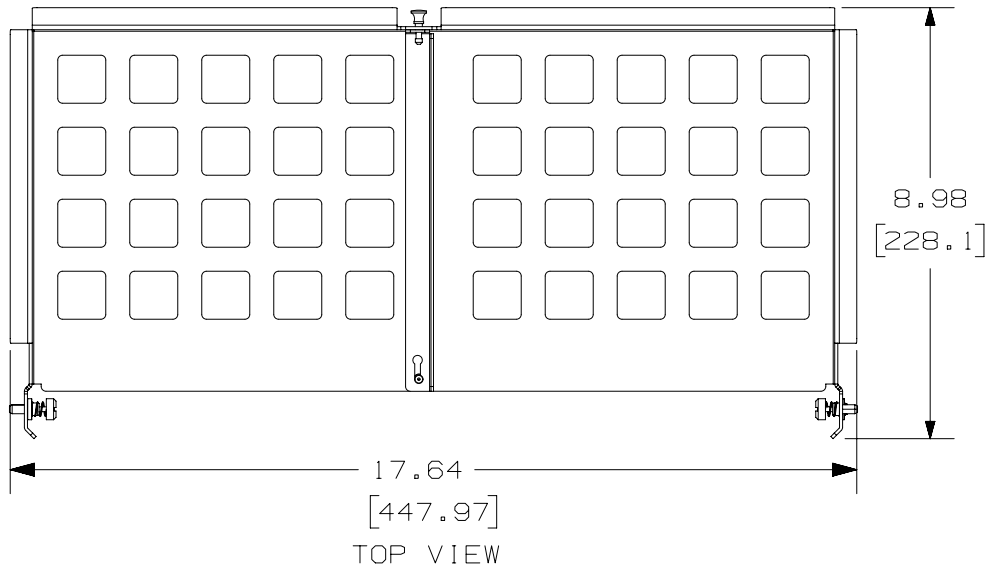
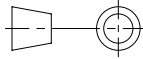



THIS COPY IS PROVIDED ON A RESTRICTED BASIS AND IS NOT TO BE USED IN ANY WAY DETRIMENTAL TO THE INTERESTS OF PANDUIT CORP.

NOTES:

1. SEE CATALOG FOR COMPLETE LIST OF PARTS APPLICABLE FOR USE WITH THIS PART.
2. DIMENSIONS IN BRACKETS ARE METRIC.
3. MATERIAL: GALVANNEALED STEEL
COLOR: FLEX-PLATE2U (BLACK),
FLEX-PLATE2UWH (WHITE)
4. INCLUDES QUICK-RELEASE DIVIDER WALL TO PREVENT FURCATION TANGLING.
5. TOOLLESS MOUNTING TO REAR OF HD FLEX ENCLOSURE.
6. ALL MATERIALS AND COMPONENTS USED MEET THE MATERIAL RESTRICTIONS OF RoHS (EUROPEAN DIRECTIVE 2011/65/EC ON THE RESTRICTION OF HAZARDOUS SUBSTANCES) AS PROPOSED BY THE RoHS TECHNICAL ADAPTATION COMMITTEE.



PART NUMBER										FLEX-PLATE2U, FLEX-PLATE2UWH																			
TITLE										HD FLEX 2RU REAR SLACK MANAGEMENT PLATE																			
										CUSTOMER DRAWING																			
ITEM REVISION NAME					12F1870F/00																								
DATASET FILE NAME					12F1870F_DC/00A																								
										THIRD ANGLE PROJECTION																			
MATERIAL										SEE NOTES																			
										DRAWING NUMBER										12F1870F-DC									
DRAWN BY		DATE		CHK		SCALE				SHEET 1 OF 1		SIZE																	
SAT		03/04/19		BJBE		NONE						A																	

REV	DATE	BY	CHK	APR	DESCRIPTION	ECN
00A	03/04/19	SAT	BJBE	AW	INITIAL RELEASE	12F1870F-DC

A-SIZE CUSTOMER