



Fiche produit

Article n° 92.297.3064.7

assemblage de câbles GST18i3KS-S 15H 30GN07

GST18i3 câble de rallonge mâle - extrémité libre, longueur 3.0 m, 3 pôle, codification selon les exigences du client avec PE, 16 A, couleur de codage vert, couleur du soulagement de traction noir, couleur du câble noir, échantillon représentatif 1.5 mm², type de câble H05Z1Z1-F, classe Feu: Eca



| | |
|-------------------|---------------|
| Article n° | 92.297.3064.7 |
| EAN | 4049088278686 |
| Unité de commande | 25 Piece(s) |

certificats/approbations

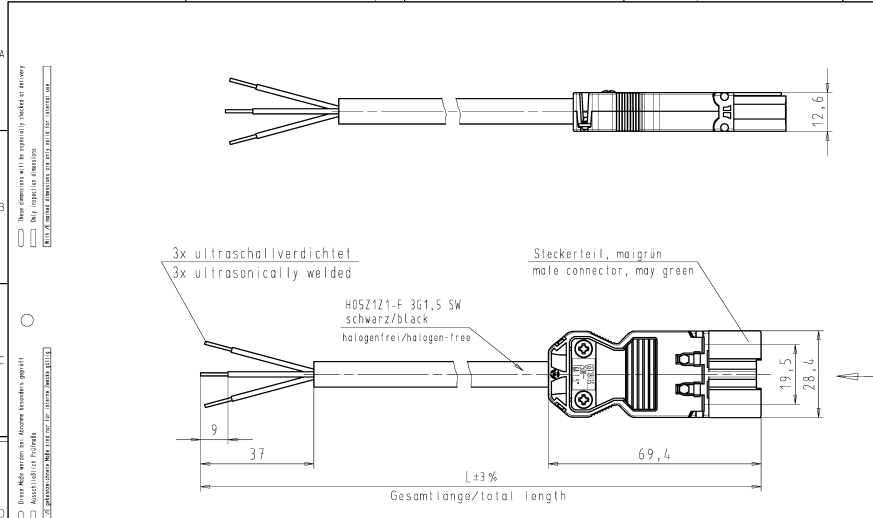
Dessin technique

These dimensions will be repeated in order of delivery

These dimensions will be repeated in order of delivery

These dimensions will be repeated in order of delivery

These dimensions will be repeated in order of delivery



3x ultraschallverdichtet
3x ultrasonically welded

H05Z121-F 3G1,5 SW
schwarz/black
halogenfrei/halogen-free

Steckerteil, maigrün
male connector, may green

12,6

9

37

L ± 3%

Gesamtlänge/total length

69,4

19,5

28,4

Y

M 2:1

2/N = blau/blue

⊕ = grün-gelb
green-yellow

1 = braun/brown

These dimensions will be repeated in order of delivery

These dimensions will be repeated in order of delivery

These dimensions will be repeated in order of delivery

These dimensions will be repeated in order of delivery

| Teile-Nr. part-no. | L | Beispiel (Farbe: maigrün) example (colour: may green) | Typ type |
|--|--------------------|--|---|
| 92.297.XX64.7 | XX in dm-Schritten | 92.297.1064.7 = 10dm/L= 1000mm | GST1813KS-S 15H 10GN07 |
| U2.297.XX64.7 | XX in m-Schritten | U2.297.1264.7 = 12 m/L=12000mm | GST1813KS-S 15H X12GN07 |
| Weitere Daten siehe KATALOG oder eCatalog. | | www.wieland-electric.com eshop.wieland-electric.com | |
| <small>Toleranzierung Size ISO 14405(2)/Tolerance system Size ISO 14405(2). (This ISO-standard describes the envelope principle. According to the envelope principle the deviations of form and parallelism are limited by the size tolerances). (AB) - Zeichnung, keine manuellen Änderungen (AB) - drawing, no manual modifications allowed</small> | | | |
| Frähtoleranz nach General tolerance | | <input type="checkbox"/> 0,1 <input type="checkbox"/> 0,2 <input type="checkbox"/> 0,3 <input type="checkbox"/> 0,5 <input type="checkbox"/> 1 <input type="checkbox"/> 1,5 <input type="checkbox"/> 2 <input type="checkbox"/> 3 <input type="checkbox"/> 4 <input type="checkbox"/> 6 <input type="checkbox"/> 10 <input type="checkbox"/> 15 <input type="checkbox"/> 20 <input type="checkbox"/> 30 <input type="checkbox"/> 40 <input type="checkbox"/> 50 <input type="checkbox"/> 63 <input type="checkbox"/> 80 <input type="checkbox"/> 100 <input type="checkbox"/> 125 <input type="checkbox"/> 160 <input type="checkbox"/> 200 <input type="checkbox"/> 250 <input type="checkbox"/> 315 <input type="checkbox"/> 400 <input type="checkbox"/> 500 <input type="checkbox"/> 630 <input type="checkbox"/> 800 <input type="checkbox"/> 1000 <input type="checkbox"/> 1250 <input type="checkbox"/> 1600 <input type="checkbox"/> 2000 <input type="checkbox"/> 2500 <input type="checkbox"/> 3150 <input type="checkbox"/> 4000 <input type="checkbox"/> 5000 <input type="checkbox"/> 6300 <input type="checkbox"/> 8000 <input type="checkbox"/> 10000 | Blatt: 1 von 1 First Use: |
| <input type="checkbox"/> Werkstoff/Material <input type="checkbox"/> Maßstab/Scale <input checked="" type="checkbox"/> X <input type="checkbox"/> Vol. | | Tag/Date 18.08. 2020 Name Duetsch T. Zeichnung Nr./Drawing No. 92.297.0264.7 01K | Index |
| www.wieland www.wieland-electric.com | | Ersatz für/Replacement for: - Typ GST1813 KS-S 13H .GN07 | Benennung/Title PRE-ASSEMBLED CABLE KONFEKT LEITUNG Stecker-für Ende Schraubausführung/screw connection 250V AC 16A 1,5mm halogen-free |

922970264701K_2 CADW3027 Duetsch 2014-08-18T10:47:46 21.000