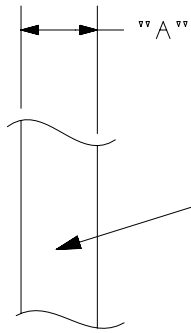
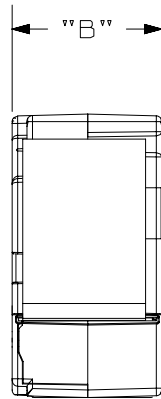
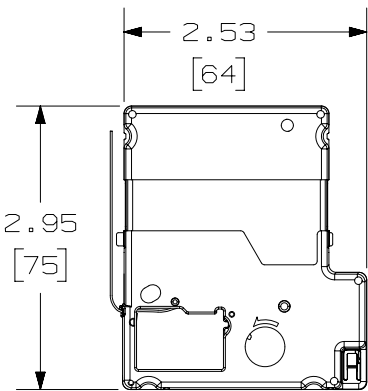


THIS COPY IS PROVIDED ON A RESTRICTED BASIS AND IS NOT TO BE USED IN ANY WAY DETRIMENTAL TO THE INTERESTS OF PANDUIT CORP.



FLATTENED HEATSHRINK TUBING



CASSETTE PART NO.	TUBING COLOR	MATERIAL	TUBING WIDTH "A" +/- 0.05[+/-1.3]	CASSETTE WIDTH "B"	ROLL LENGTH
H000X025H1M	WHITE	GMHS31E	.27 [6.8] REF	.87 [22.1] REF	8.2' MIN 2.5 METER MIN
H000X025H2M	YELLOW				
H000X034H1M	WHITE	GMHS31ET	.37 [9.3] REF	1.10 [27.9] REF	
H000X034H2M	YELLOW				
H000X044H1M	WHITE	GMHS31E	.48 [12.3] REF	1.10 [27.9] REF	
H000X044H2M	YELLOW				
H000X064H1M	WHITE	GMHS31ET	.63 [16.0] REF	1.56 [39.6] REF	
H000X064H2M	YELLOW				
H000X084H1M	WHITE				
H000X084H2M	YELLOW	.87 [22.1] REF	1.34 [34] REF		
H000X134H1M	WHITE				
H000X134H2M	YELLOW				

REV	DATE	BY	CHK	APR	DESCRIPTION	ECN
01	7/1/2020	JSUN	RGB	RGB	ADDING MATERIAL COLUMN	080136/01
0	4/21/2020	JSUN	RGB	RGB	DRAWING RELEASE.	080136/00

TITLE MP Printer Cassette, Continuous Heatshrink Tubing CUSTOMER DRAWING			
ITEM REVISION NAME 100743XS/01		PANDUIT	
DATASET FILE NAME 100743XS_DC/01			
UNLESS OTHERWISE SPECIFIED, DIMENSIONAL TOLERANCES ARE: IN [mm]			
.x ± .1 [2.54]		.xxx ± .025 [.635]	
.xx ± .05 [1.27]		ANGLES ±	
DRAWN BY JSUN		DATE 4/21/2020	CHK RKB
SCALE NTS		DRAWING NUMBER: 100743XS_DC	
SHT 1 OF 1		SIZE A	

D10100DA/20