



|   |      |                  |                   |                   |
|---|------|------------------|-------------------|-------------------|
| Product designation                                       |      |                  |                   | Changeover Switch |
| Product type designation                                  |      |                  |                   | GE                |
| Number of poles   | Nr.  |                  |                   | 4                 |
| Operating voltage type                                    |      |                  |                   | AC                |
| <b>Contact characteristics</b>                            |      |                  |                   |                   |
| IEC Conventional free air thermal current I <sub>th</sub> | A    |                  |                   | 800               |
| Rated insulation voltage U <sub>i</sub> IEC/EN            | V    |                  |                   | 1000              |
| Rated impulse withstand voltage U <sub>imp</sub>          | kV   |                  |                   | 12                |
| Operating current I <sub>e</sub>                          |      |                  |                   |                   |
| AC21A   |      |                  |                   |                   |
|   | 400V | A                | 800               |                   |
|   | 500V | A                | 800               |                   |
|   | 690V | A                | 800               |                   |
| AC22A   |      |                  |                   |                   |
|   | 400V | A                | 800               |                   |
|   | 500V | A                | 800               |                   |
|   | 690V | A                | 630               |                   |
| AC23A   |      |                  |                   |                   |
|   | 400V | A                | 630               |                   |
|   | 500V | A                | 400               |                   |
| Power dissipation per pole max                            |      | W                | 72                |                   |
| Rated operational power AC23A                             |      |                  |                   |                   |
|   | 400V | kW               | 315               |                   |
|   | 690V | kW               | 272               |                   |
| Rated short time current (1s) I <sub>cw</sub> (rms)       |      | kA               | 13                |                   |
| Conditional short-circuit current (rms)                   |      | kA               | 100               |                   |
| Short-circuit protection with fuse                        |      | Class/A          | gG800             |                   |
| Making capacity AC23A 400V                                |      | A                | 8000              |                   |
| Mechanical life   |      | cycles           | 10000             |                   |
| Electrical life AC21A                                     |      | cycles           | 500 (AC23A 400V)  |                   |
| <b>Mechanical features</b>                                |      |                  |                   |                   |
| Operating position  |      | normal allowable | Vertical plan Any |                   |
| Fixing  |      |                  | Screw             |                   |
| Terminals   |      | type screw       | Bar M12           |                   |
| Tightening torque for terminals                           |      |                  |                   |                   |
|   | max  | Nm               | 24                |                   |
|   | max  | lbin             | 18                |                   |
| Bar dimensions max  |      |                  | 40x5              |                   |
| <b>Ambient conditions</b>                                 |      |                  |                   |                   |

Operating temperature

|     |    |     |
|-----|----|-----|
| min | °C | -25 |
| max | °C | 55  |

Storage temperature

|     |    |     |
|-----|----|-----|
| min | °C | -40 |
| max | °C | 70  |

Max altitude

|   |      |
|---|------|
| m | 3000 |
|---|------|

Resistance & Protection

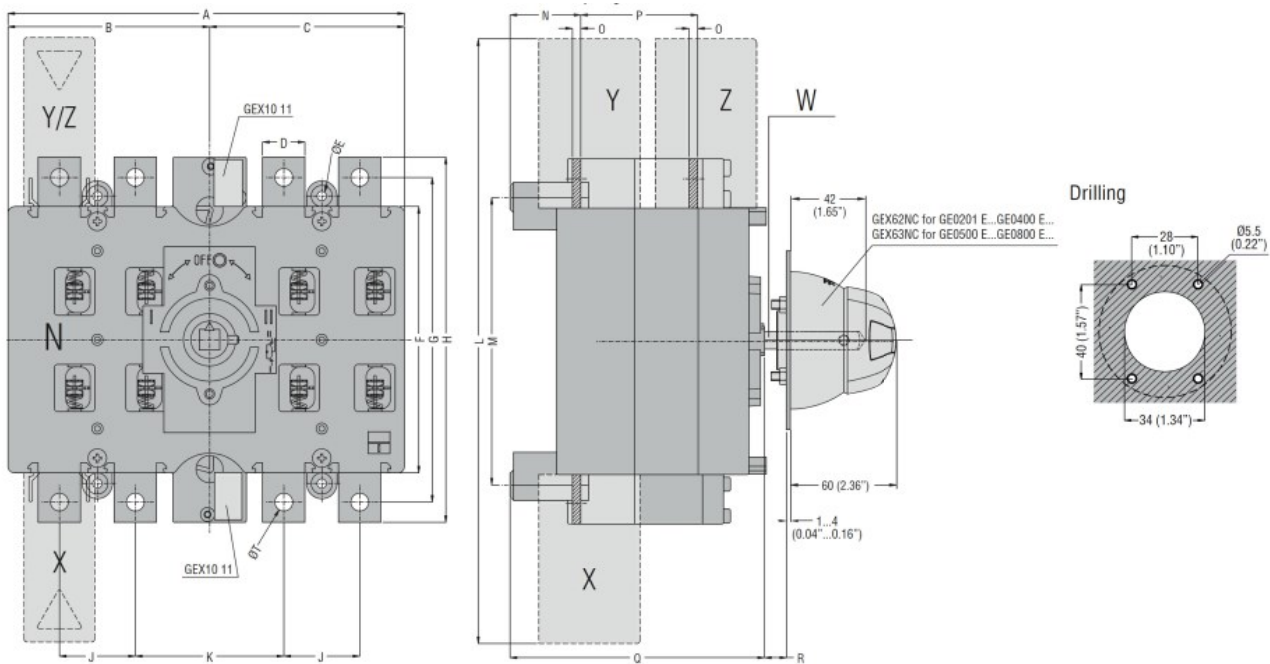
Frontal IP degree

IP20

Pollution degree

3

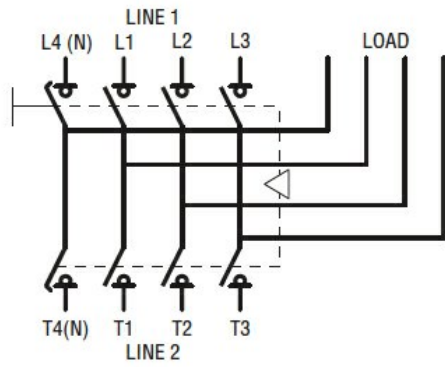
Dimensions



| TYPE   | A               | B                | C                | D             | ØE             | F              | G               | H               | J             | K              | L               | M              | N             | O            | P             | Q              | R<br>Max        | S              | ØT  | U              | V              | Shaft<br>extension<br>W                         | Terminal covers<br>(N° of pcs/set) |              |              |
|--|-----------------|------------------|------------------|---------------|----------------|----------------|-----------------|-----------------|---------------|----------------|-----------------|----------------|---------------|--------------|---------------|----------------|-----------------|----------------|-----|----------------|----------------|---|------------------------------------|--------------|--------------|
|  |                 |                  |                  |               |                |                |                 |                 |               |                |                 |                |               |              |               |                |                 |                |     |                |                |   | X (line 1)                         | Y (line 2)   | Z (load)     |
| GE0201 E<br>GE0250 E<br>GE0315 E<br>GE0400 E         | 235<br>(9.25")  | 119.5<br>(4.70") | 115.5<br>(4.55") | 25<br>(0.98") | 5.5<br>(0.22") | 157<br>(6.18") | 192<br>(7.56")  | 216<br>(8.50")  | 45<br>(1.77") | 88<br>(3.46")  | 357<br>(14.05") | 170<br>(6.69") | 42<br>(1.65") | 3<br>(0.12)  | 67<br>(2.64") | 151<br>(5.94") | 437<br>(17.2")  | 143<br>(5.63") | M10 | 133<br>(5.24") | 142<br>(5.59") | GEX7227N<br>GEX7375N<br>GEX7536N<br>□ 10 (0.6") | GEX82 12 (3)                       | GEX82 11 (3) | GEX83 12 (3) |
| GE0201 ET4<br>GE0250 ET4<br>GE0315 ET4<br>GE0400 ET4 |                 |                  |                  |               |                |                |                 |                 |               |                |                 |                |               |              |               |                |                 |                |     |                |                |   | GEX82 13 (4)                       | GEX82 13 (4) | GEX83 12 (4) |
| GE0500 E<br>GE0630 E<br>GE0800 E                     | 321<br>(12.63") | 162<br>(6.38")   | 159<br>(6.26")   | 40<br>(1.57") | 7<br>(0.27")   | 232<br>(9.13") | 282<br>(11.10") | 312<br>(12.28") | 65<br>(2.56") | 121<br>(4.73") | 482<br>(18.98") | 247<br>(9.72") | 46<br>(1.81") | 5<br>(0.20") | 87<br>(3.42") | 180<br>(7.09") | 417<br>(16.42") | 176<br>(6.93") | M12 | 186<br>(7.32") | 171<br>(6.73") | GEX7195N<br>GEX7345N<br>GEX7535N<br>□ 10 (0.6") | GEX82 22 (3)                       | GEX82 21 (3) | GEX83 21 (3) |
| GE0500 ET4<br>GE0630 ET4<br>GE0800 ET4               |                 |                  |                  |               |                |                |                 |                 |               |                |                 |                |               |              |               |                |                 |                |     |                |                |   | GEX82 23 (4)                       | GEX82 23 (4) | GEX83 22 (4) |

Wiring diagrams

**GE0201 ET4 - GE1600 ET4**



**Certifications and compliance**

Compliance

IEC/EN 60947-1

IEC/EN 60947-3

Certifications

EAC

**ETIM classification**

ETIM 8.0

EC000216 -  
 Switch  
 disconnecter