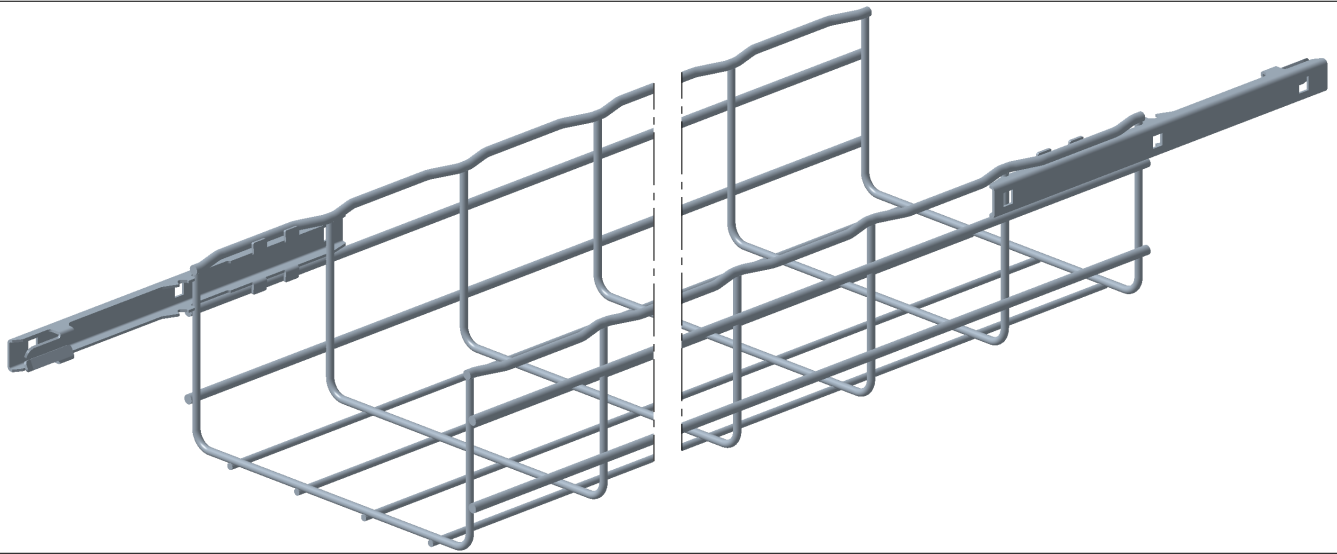
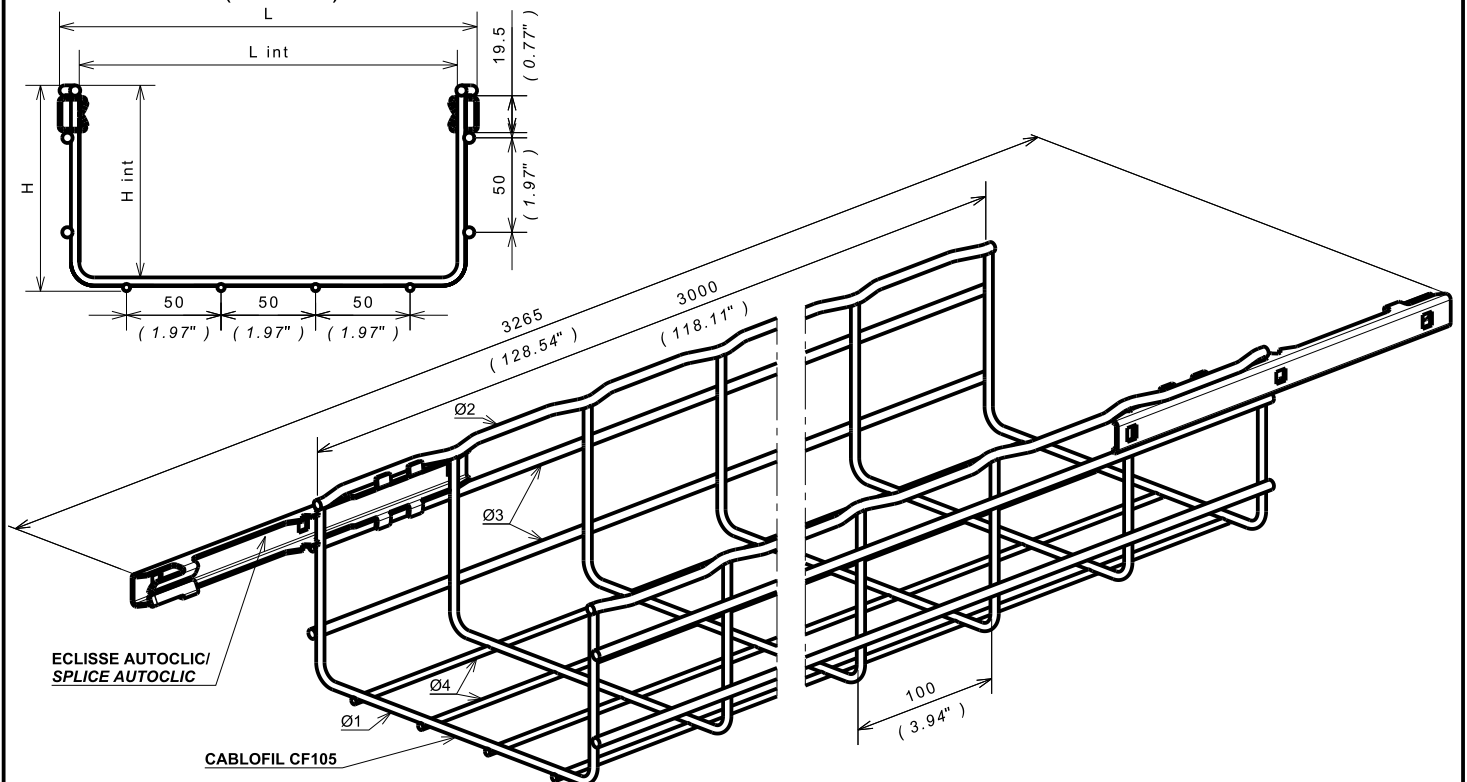


PCF 105

Reference(s) : 090 073/083/093/103/203/303/403


1. GAMME / RANGE

Designation	Code	Poids / Weight (Kg / lb)		Pièce / Part		Norme / Standard	Finition / Coating	Classe de résistance contre la corrosion / Resistance class against corrosion
PCF105/100 GC	090 073	4.374	9.643	CF105/100	C9D	EN ISO 16120-2	GC / HDG	Classe 6 - CEI 61537 / Class 6 - IEC 61537
				AUTOCLIC	S235 JR	EN 10025		
PCF105/150 GC	090 083	6.067	13.374	CF105/150	C9D	EN ISO 16120-2	GC / HDG	Classe 6 - CEI 61537 / Class 6 - IEC 61537
				AUTOCLIC	S235 JR	EN 10025		
PCF105/200 GC	090 093	6.565	14.474	CF105/200	C9D	EN ISO 16120-2	GC / HDG	Classe 6 - CEI 61537 / Class 6 - IEC 61537
				AUTOCLIC	S235 JR	EN 10025		
PCF105/300 GC	090 103	9.678	21.336	CF105/300	C9D	EN ISO 16120-2	GC / HDG	Classe 6 - CEI 61537 / Class 6 - IEC 61537
				AUTOCLIC	S235 JR	EN 10025		
PCF105/400 GC	090 203	10.992	24.233	CF105/400	C9D	EN ISO 16120-2	GC / HDG	Classe 6 - CEI 61537 / Class 6 - IEC 61537
				AUTOCLIC	S235 JR	EN 10025		
PCF105/500 GC	090 303	12.306	27.130	CF105/500	C9D	EN ISO 16120-2	GC / HDG	Classe 6 - CEI 61537 / Class 6 - IEC 61537
				AUTOCLIC	S235 JR	EN 10025		
PCF105/600 GC	090 403	13.620	30.026	CF105/600	C9D	EN ISO 16120-2	GC / HDG	Classe 6 - CEI 61537 / Class 6 - IEC 61537
				AUTOCLIC	S235 JR	EN 10025		

2. DIMENSIONS (mm/inch)


PCF 105

Reference(s) : 090 073/083/093/103/203/303/403

2. DIMENSIONS (mm/inch)

Designation	Ø1		Ø2		Ø3		Ø4		L int		L		H int		H	
	(mm)	(inch)	(mm)	(inch)	(mm)	(inch)	(mm)	(inch)	(mm)	(inch)	(mm)	(inch)	(mm)	(inch)	(mm)	(inch)
PCF 105/100 GC	4.4	0.17	5.5	0.22	3.9	0.15	3.9	0.15	100.0	3.94	120.9	4.76	101.6	4.00	108.9	4.29
PCF 105/150 GC	4.4	0.17	5.5	0.22	5.5	0.22	3.9	0.15	150.0	5.91	170.9	6.73	101.6	4.00	108.9	4.29
PCF 105/200 GC	4.4	0.17	5.5	0.22	5.5	0.22	3.9	0.15	200.0	7.87	220.9	8.70	101.6	4.00	108.9	4.29
PCF 105/300 GC	5.9	0.23	5.9	0.23	5.9	0.23	3.9	0.15	300.0	11.81	323.6	12.74	101.1	3.98	110.0	4.33
PCF 105/400 GC	5.9	0.23	5.9	0.23	5.9	0.23	3.9	0.15	400.0	15.75	423.6	16.68	101.1	3.98	110.0	4.33
PCF 105/500 GC	5.9	0.23	5.9	0.23	5.9	0.23	3.9	0.15	500.0	19.69	523.6	20.61	101.1	3.98	110.0	4.33
PCF 105/600 GC	5.9	0.23	5.9	0.23	5.9	0.23	3.9	0.15	600.0	23.62	623.6	24.55	101.1	3.98	110.0	4.33

3. INSTALLATION
