



|   |                        |                     |     |
|---|------------------------|---------------------|-----|
| Product designation                                       | Hinge operating        |                     |     |
| Product type designation                                  | KBP                    |                     |     |
| <b>General characteristics</b>                            |                        |                     |     |
| <b>General characteristics</b>                            |                        |                     |     |
| Housing Material  | Polymer thermoplastic  |                     |     |
| Rod material  | Short cylinder hinge   |                     |     |
| <b>Contact characteristics</b>                            |                        |                     |     |
| Type of contact   | 2NC Slow action        |                     |     |
| Thermal current I <sub>th</sub>                           | A                      | 10                  |     |
| IEC/EN 60947-5-1 designation                              | A600 Q300              |                     |     |
| Rated insulation voltage U <sub>i</sub>                   | V                      | 690                 |     |
| Rated impulse withstand voltage U <sub>imp</sub>          | kV                     | 6                   |     |
| Insulation class  | II                     |                     |     |
| Short-circuit protection with fuse                        | Class/A                | 10 gG/SC QUICK FUSE |     |
| Switching speed   | min                    | m/s                 | 0.5 |
|   | max                    | m/s                 | 1.5 |
| IEC Conventional free air thermal current I <sub>th</sub> | A                      | 10                  |     |
| Resistance per pole (average value)                       | mΩ                     | <10                 |     |
| <b>Operations</b>   |                        |                     |     |
| Mechanical life   | cycles                 | 100000              |     |
| B10d  | cycles                 | 100000              |     |
| Mechanical operation                                      | cycles/h               | 3600                |     |
| <b>Output characteristics</b>                             |                        |                     |     |
| Mechanical life   | cycles                 | 100000              |     |
| <b>Mechanical features</b>                                |                        |                     |     |
| Operating head fixing                                     | Locking bayonet insert |                     |     |
| Operating torque  | Ncm                    | 15                  |     |
|   | ozin                   | 21.2                |     |
| Tightening torque (Max)                                   |                        |                     |     |
| Switch fixing   | Nm                     | 2.5                 |     |
|   | lbin                   | 22.1                |     |
| Contact terminals   | Nm                     | 0.8                 |     |
|   | lbin                   | 7                   |     |
| Body lid screw fixing                                     | Nm                     | 0.8                 |     |
|   | lbin                   | 7                   |     |
| Conductor section   |                        |                     |     |

AWG/Kcmil

|     |    |
|-----|----|
| min | 16 |
| max | 14 |

IEC

|     |                 |        |
|-----|-----------------|--------|
| min | mm <sup>2</sup> | 1 or 2 |
| max | mm <sup>2</sup> | 2.5    |

Cable connection

Self-releasing screw terminal

Cable entry

M20 on the bottom

**Ambient conditions**

Pollution degree

3

Temperature

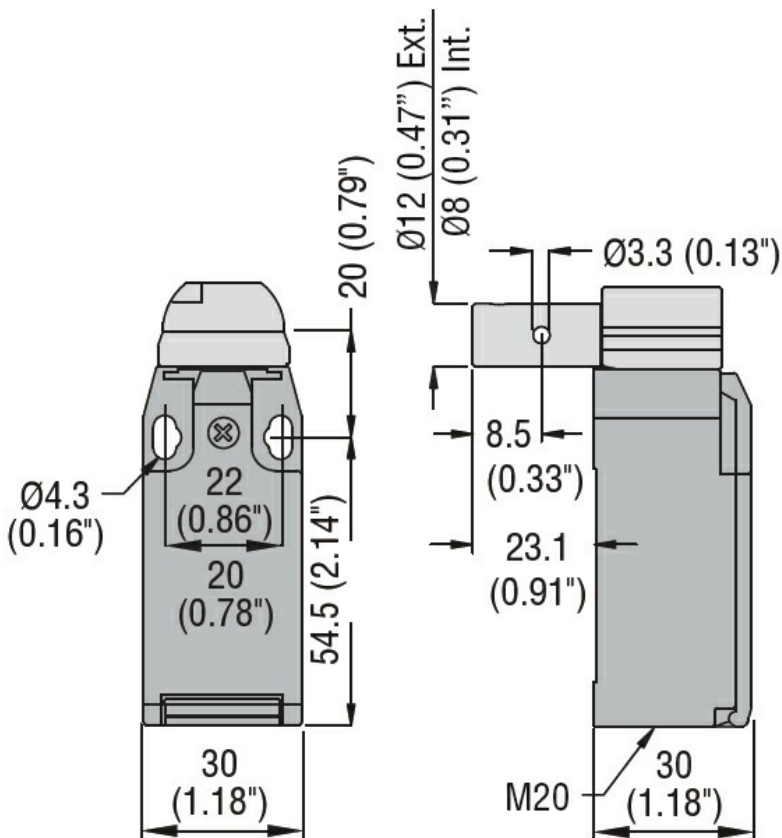
Operating temperature

|     |    |     |
|-----|----|-----|
| min | °C | -25 |
| max | °C | +70 |

Storage temperature

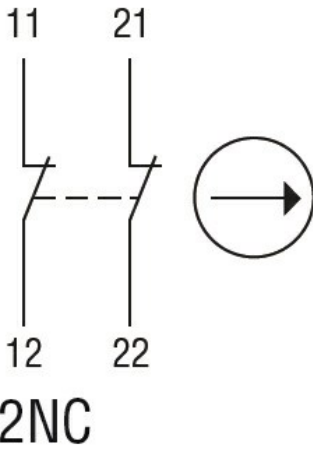
|     |    |     |
|-----|----|-----|
| min | °C | -40 |
| max | °C | +70 |

**Dimensions**



**Wiring diagrams**

## Slow action



### Certifications and compliance

#### Compliance

CSA C22.2 n° 14  
 EN 50047  
 IEC/EN 60204-1  
 IEC/EN 60947-1  
 IEC/EN 60947-5-1  
 UL508

#### Certificates

CCC  
 cULus  
 EAC

### ETIM classification

ETIM 8.0

EC000030 - End switch